

Description and Application

The KMD-5567 provides surge suppression for one or two pairs of low-voltage data signal lines with three-stage hybrid technology. The KMD-5567 addresses overvoltage transients with gas tubes and silicon avalanche components. In addition, sneak and fault currents are mitigated with resettable (Positive Temperature Coefficient) fuses. The PTCs increase resistance several orders of magnitude when over-currents exceed safe levels. A normal state resumes when over-currents are removed. The ability to self-restore in this manner significantly increases suppressor performance and survivability.

The KMD-5567 is a two part unit consisting of the HPO-0066 suppressor module and the HPO-0067 terminal connector. If the suppressor is damaged because of a lightning strike, causing the protected circuit to open, simply replace the HPO-0066 suppressor module.

When properly installed and wired, the KMD-5567 can protect the digital communication circuitry from lightning damage. The KMD-5567 is installed at building exits and entrances to provide surge suppression for one or two pairs of data signal lines. In smoke control applications, one KMD-5567 is also required for the EIA-485 terminals of every controller, router, or repeater as well.

Features

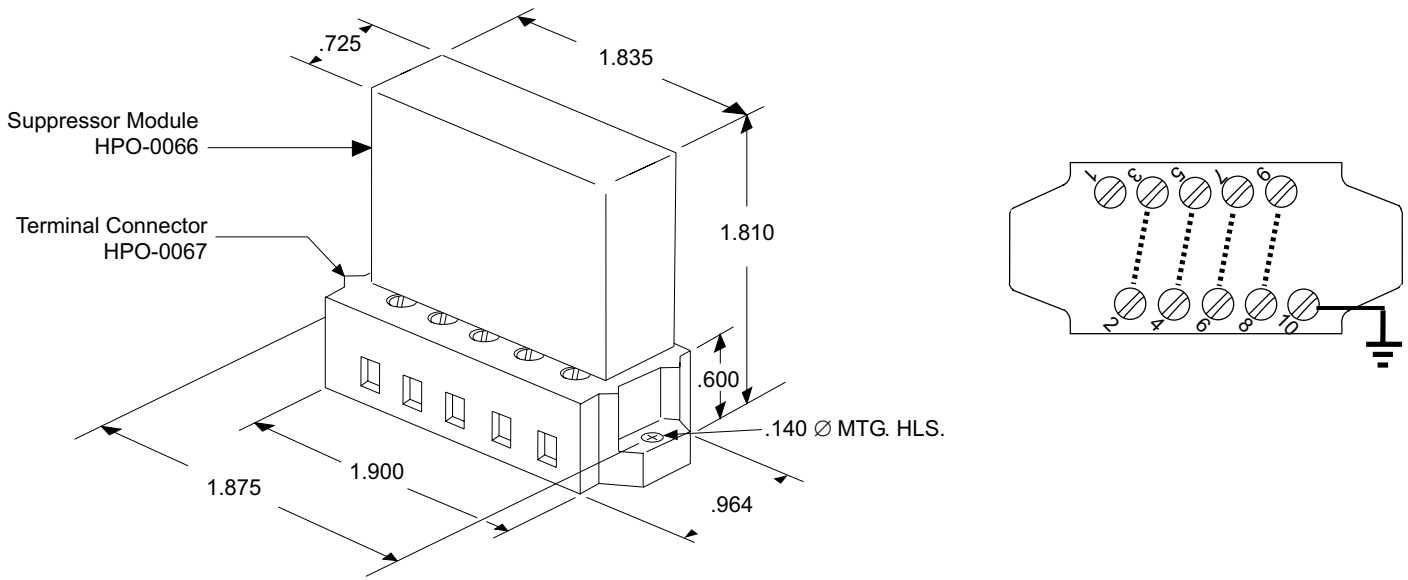
- ◆ Gas and silicon avalanche overvoltage transient suppression
- ◆ Self-restorable resettable fuses protect against sneak and fault currents
- ◆ Easily replaced suppressor module (HPO-0066)



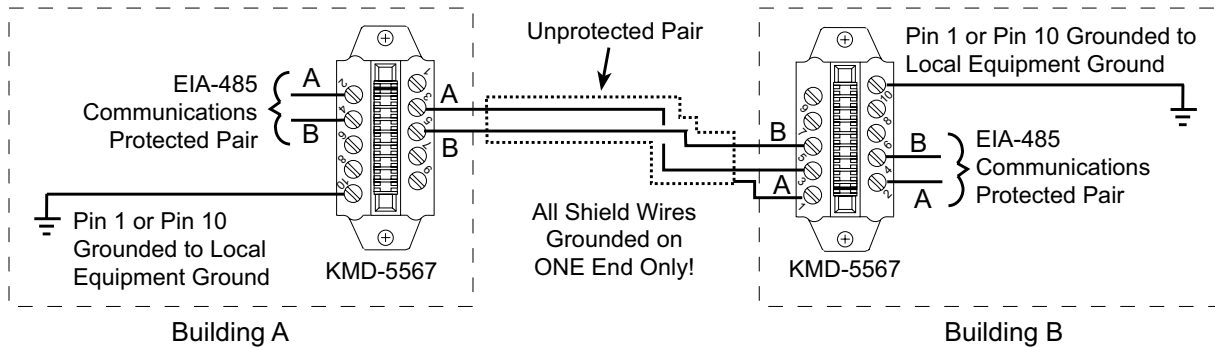
Specifications

Peak Surge Current	8 x 20 μ s 10 kA 10 x 700 μ s 500 A per line
Life Expectancy	8 x 20 μ s (2000 A), 100 Occurrences 10 x 700 μ s (400 A) 100 Occurrences
Response Time	<1 Nanosecond
Voltage Clamp	15 Volts
Technology	Silicon Avalanche Diode Hybrid
Resistance	8.0 ohms per line
Capacitance	1500 pf (average)
Weight	2.0 oz. (56.7 g)
Regulatory	UL 497B Isolated Loop Circuit Protectors listed UL 864 Smoke Control Equip- ment listed (UUKL), 10th edi- tion—see the smoke control manuals available on the KMC web site under Installa- tion Guides linked to KMD- 5567
Ambient Limits	
Operating	-40° to 185° F (-40° to 85° C)
Shipping	-40° to 185° F (-40° to 85° C)
Humidity	0 to 95% RH, non-condensing

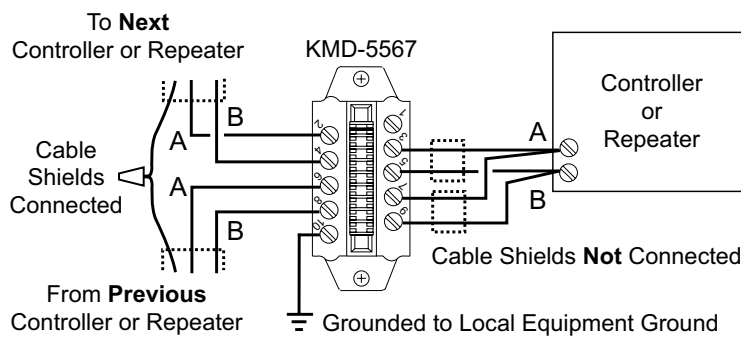
Dimensions, Wiring, and Sample Applications



Dimensions and Terminal Connections



Network Protection with Multiple Buildings



Individual Controller Protection (Required in Smoke Control Applications)

Accessories/Repair Parts

- HPO-0066 Suppressor Module
- HPO-0067 Terminal Connector

KMC Controls, Inc.
 19476 Industrial Drive
 New Paris, IN 46553
 574.831.5250

www.kmcccontrols.com; info@kmcccontrols.com