

OVERVIEW

The KMN-J-8000 is a compact, embedded Niagara Framework based controller and server platform for connecting multiple and diverse devices and sub-systems. The controller is designed as a Network Automation Controller optimized for BAS applications. With Internet connectivity and web-serving capability, the KMN-J-8000 controller provides integrated control, supervision, data logging, alarming, scheduling, and network management. It streams data and rich graphical displays to a standard Web browser via an Ethernet or wireless LAN, or remotely over the Internet.

The controller is optimized for Niagara 4 which takes the Internet of Things “defense-in-depth” approach to security. In larger facilities, multi-building applications, and large-scale control system integrations, Niagara 4 Supervisors can be used with KMN-J-8000 controllers to aggregate information, including real-time data, history, and alarms, to create a single, unified application.

LICENSING

For ultimate flexibility and expandability, the licensing model for the KMN-J-8000 controller includes standard drivers along with optional IO and field bus expansion modules. The controller requires an annual maintenance license that is available for 1, 3, or 5 years. The initial maintenance license is a separate line item that must be chosen at time of purchase.

SPECIFICATIONS

- TI AM3352: 1000MHz ARM® Cortex™-A8 with secure boot
- 1GB DDR3 SDRAM
- Removable micro-SD card with 4GB flash total storage/2GB user storage
- Wi-Fi (Client or WAP)
 - IEEE802.11a/b/g/n
 - IEEE802.11n HT20 @ 2.4GHz
 - IEEE802.11n HT20/HT40 @ 5GHz
 - Configurable radio (Off, WAP, or Client)
 - WPAPSK/WPA2PSK supported
- USB type A connector for back-up and restore support
- (2) isolated RS-485 with switch-selectable bias and termination
- (2) 10/100MB Ethernet ports 24VAC/DC power supply
- Runs Niagara 4.1 and later
- Real time clock
- Batteryless
- Supports SSL and TLS encryption



ENVIRONMENTAL SPECIFICATIONS

- Operating temperature: -20–60°C
- Storage temperature: -40–85°C
- Humidity: 5%–95% – Non condensing
- Shipping & vibration: ASTM D4169, Assurance Level II
- MTTF: 10 years+

AGENCY LISTINGS

- UL 916
- CE EN 61326-1
- FCC Part 15 Subpart B, Class B
- FCC Part 15 Subpart C
- C-UL listed to Canadian Standards Association (CSA) C22.2 No. 205-M1983 “Signal Equipment”
- 1999/5/EC R&TTE Directive
- CCC
- SRRC
- RSS
- ROHS

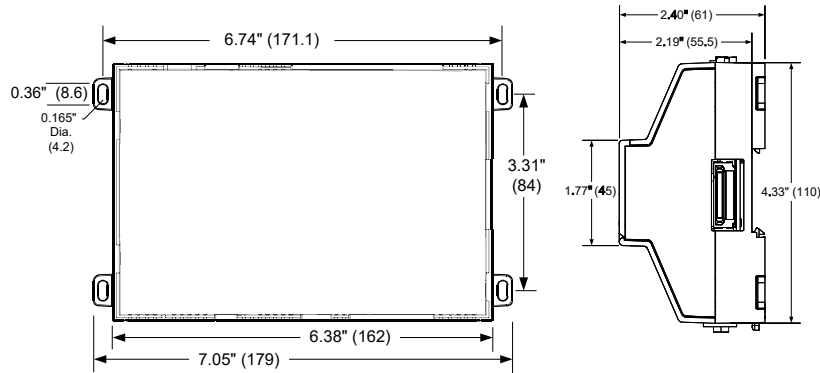
EXPANSION MODULES

The controller supports a maximum of four expansion modules across all option types. If two Dual RS485 modules are used, only one additional non-RS485 module may be added for a maximum total of three modules.

JACE, Niagara, Niagara Framework, and Niagara N4 are registered trademarks of Tridium, Inc.

DIMENSIONS

Allow at least 1.5 inches (38 cm) clearance around all sides and 3 inches (76 cm) around the Wi-Fi antenna.



ORDERING INFORMATION

JACE and Options

DESCRIPTION	MODEL
JACE 8000 for 5 devices/250 point core	KMN-J-8005
JACE 8000 for 10 devices/500 point core	KMN-J-8010
JACE 8000 for 25 devices/1,250 point core	KMN-J-8025
JACE 8000 for 100 devices/5,000 point core	KMN-J-8100
JACE 8000 for 200 devices/10,000 point core	KMN-J-8200
Add 10 devices/500 points to initial order	DEVICE-10
Add 25 devices/1,250 points to initial order	DEVICE-25
Add 50 devices/2,500 points to initial order	DEVICE-50
Upgrade of 10 devices/500 points to existing license	DEVICE-UP-10
Upgrade of 25 devices/1,250 points to existing license	DEVICE-UP-25
Upgrade of 50 devices/2,500 points upgrade to existing license	DEVICE-UP-50
JACE 8000 100-240 volt universal power supply	WPM-8000

Optional Modules

DESCRIPTION	MODEL
Add-on dual port RS-485 expansion module for KMN-J-8000 controller	NPB-8000-2X-485
Add-on single port LON FTT10A expansion module for KMN-J-8000 controller	NPB-8000-LON
Add-on single port RS-232 expansion module for KMN-J-8000 controller	NPB-8000-232
Remote IO module, compatible with the JACE 8000 controller. Communication using RS-485, maximum IO supported IO-16-485 modules: 16	KMN-IO-16-485
24 volt power supply for KMN-IO-16-485	NPB-PWR
Universal power supply for KMN-IO-16-485	NPB-PWR-UN

SUPPORT

Additional resources for installation, configuration, application, operation, programming, upgrading, and much more are available on the web at www.kmcccontrols.com. To see all available files, log-in to the KMC Partners site.

