

Description

The KMC REE-4002 relay module is designed primarily for use with VAV fan-powered induction boxes. When used with a direct acting CTE series room thermostat, the fan and two stages of reheat can be controlled.

Each output circuit is capable of handling contactors of up to 10 VA @ 24 VAC. The "FAN" output circuit can be adjusted to start the unit fan at an airflow setting of 0 to 3,000 fpm. The two reheat circuits are factory-set to sequentially actuate after the fan starts if the room temperature continues to fall. The REE-4002 allows full adjustment of the unit fan starting point so that optimum use can be made of the warm air in the return air plenum before actuating reheat coils.

The REE-4002 is intended for use with the following controllers/actuators:

- CEE-4000 Series
- CEP-4000 Series
- CSE-4000 Series
- CSP-4000 Series

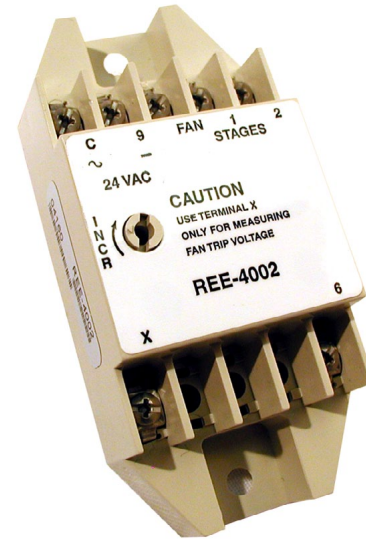
The following thermostat models are recommended for use with this relay:

- CEE-1100 Series
- CTE-1100 Series
- CTE-5202

NOTE: See the [CEP-4000 Series Applications Guide](#) and the [CTE-5202 Applications Guide](#) for additional information on applications.

Features

- ◆ Simple installation
- ◆ Controls unit fan and two stages of reheat
- ◆ Each triac output capable of handling contactors of up to 10 VA @ 24 VAC
- ◆ Each reheat stage set to sequentially actuate after the fan starts
- ◆ "FAN" output adjustable (via the pot and a voltmeter) to start the unit fan at an airflow setting of 0 to 3,000 fpm

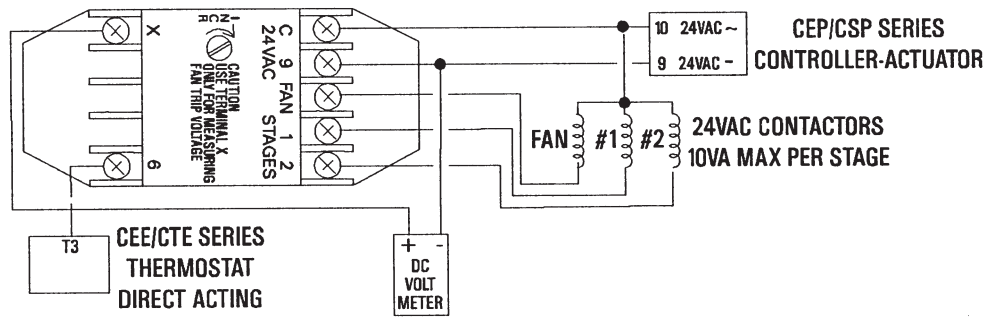
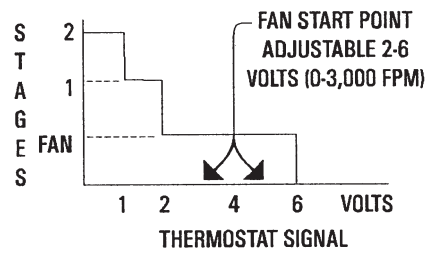
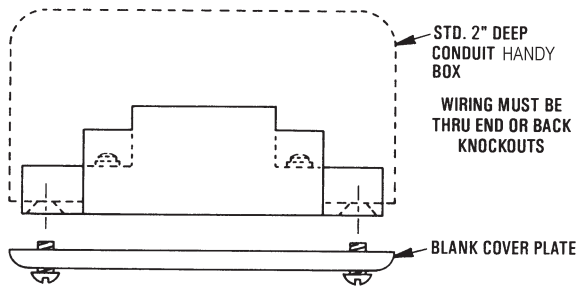
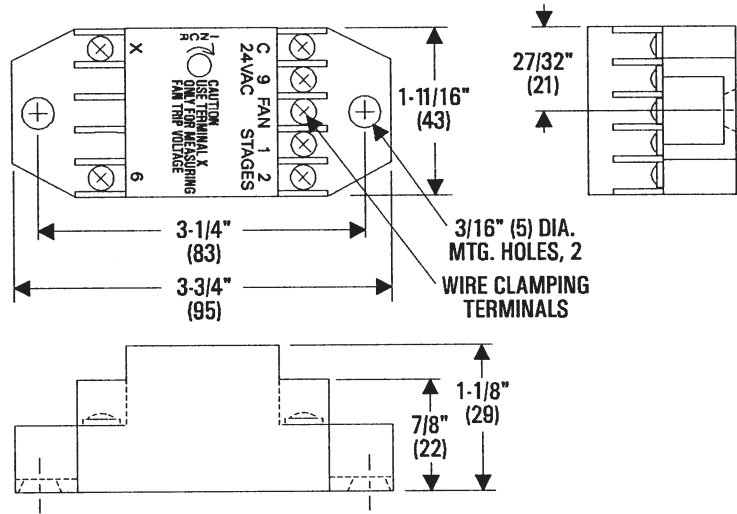


Specifications

Supply Voltage	24 VAC, +20%/-15% @ 1 VA plus output loads
Input Signal	0 to 6 VDC
Output Capacity	10 VA per stage @ 24 VAC
Fan Setpoint	3 VDC default, adjustable 2 to 6 VDC
Connections	Plated screw terminals
Wire Size	14 to 22 AWG, stranded
Material	Beige flame-retardant plastic
Weight	2 oz. (57 grams)
Approvals	SASO PCP Registration KSA R-103263
Temperature Limits	
Operating	40 to 120° F (4 to 49° C)
Shipping	-40 to 140° F (-40 to 60° C)

Details

All dimension are in inches (mm)



KMC Controls, Inc.

19476 Industrial Drive, New Paris, IN 46553

574.831.5250

www.kmcccontrols.com

info@kmcccontrols.com