

### DESCRIPTION AND APPLICATION

These low pressure transducers can be used to measure positive, negative, or differential pressure. The TPE-1475-xx series models have **both pressure ports on the side**. The TPE-1477-xx series models have an **integrated duct probe and one pressure port on the side**.

The piezoresistive sensor is ideal for monitoring the pressure of air or other clean inert gases. Typical HVAC applications include monitoring of filter differential pressure or duct pressure.

The models feature selectable pressure ranges and output signal options for the most flexible applications. The output signal is factory-calibrated and temperature-compensated for highest start-up accuracy and trouble-free operation.

They can be powered from a 20 to 28 volt AC or DC power source.

They incorporate a high-impact polycarbonate UL94-V0, IP65 (NEMA 4X) enclosure. The enclosure has a standard 1/2-inch conduit opening and may be installed with either conduit and a conduit coupler or a cable-gland-type fitting.

**NOTE:** These specifications are for models that started shipping April 2020. For specifications of earlier models, see Rev. B of this document.



### FEATURES

- ◆ Selectable voltage or current outputs of 4–20 mA (2-wire) or 0–10 VDC (3-wire)
- ◆ Measures positive, negative, or differential pressures
- ◆ Selectable pressure ranges
- ◆ Powered by 20 to 28 VAC or VDC
- ◆ Push-button auto-zero

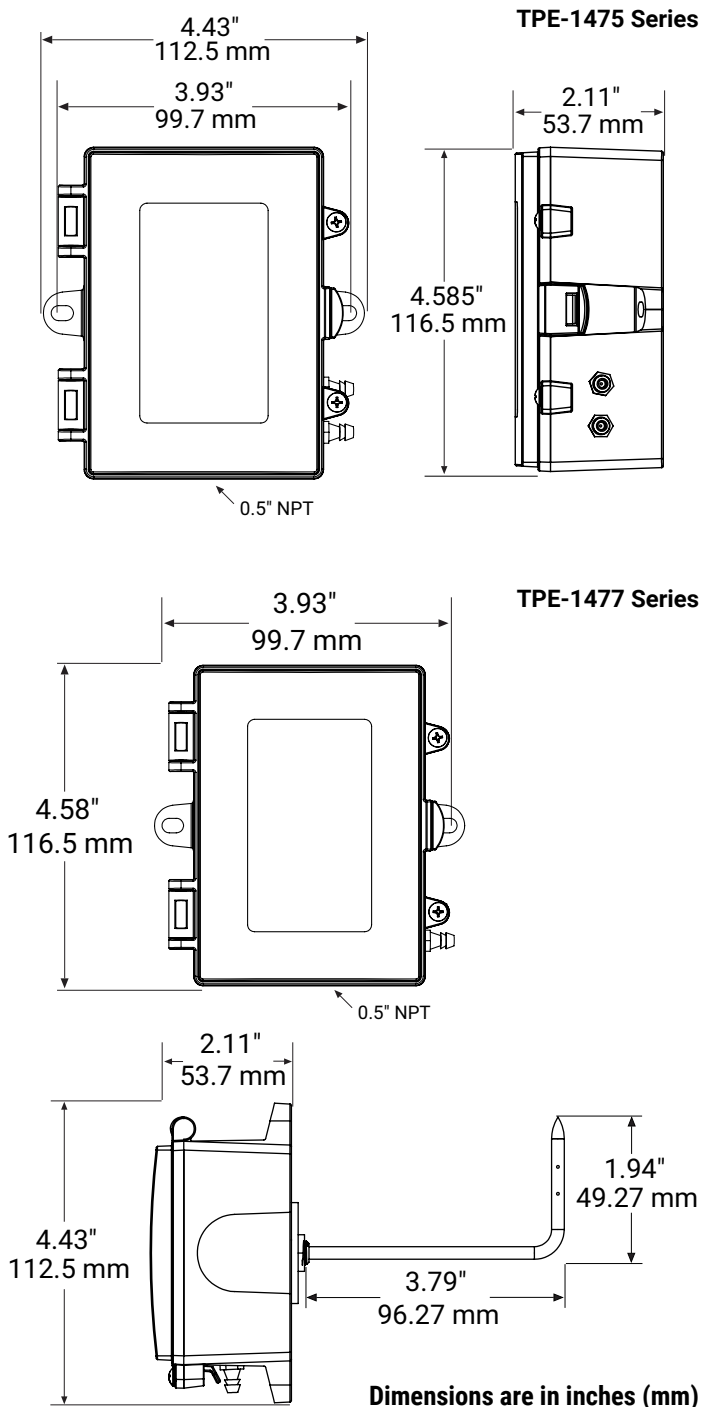


### MODELS

MODEL NUMBER	PORTS	INPUT PRESSURE RANGES (SELECTABLE)
TPE-1475-21	Both on the side	-2 to +2" or 0 to 2" wc (-0.5 to +0.5 kPa or 0 to 0.5 kPa)
TPE-1475-22		-10 to +10" or 0 to 10" wc (-2.5 to +2.5 kPa or 0 to 2.5 kPa)
TPE-1477-21	Duct probe and one port on the side	-2 to +2" or 0 to 2" wc (-0.5 to +0.5 kPa or 0 to 0.5 kPa)
TPE-1477-22		-10 to +10" or 0 to 10" wc (-2.5 to +2.5 kPa or 0 to 2.5 kPa)

## DIMENSIONS AND MOUNTING

## SPECIFICATIONS



**NOTE:** Avoid locations with severe vibrations or excessive moisture. Mount the transmitter on a vertical surface using #10 screws (not supplied) through the two integrated mounting holes. The enclosure has an opening for a standard 1/2-inch conduit fitting. Ensure there is enough space around the unit to make the tubing (without kinking) and electrical connections. For added security, two (provided) screws may be installed in the integrated screw tabs of the hinged cover.

<b>Pressure Ranges</b>	See <a href="#">Models on page 1</a>
<b>Accuracy</b>	±1% FSO (Full Scale Output)
<b>Measurement Type</b>	Differential (two port) or static
<b>Response Time</b>	250 ms
<b>Stability</b>	< ±1% FSO per year
<b>Thermal Effects</b>	< ±3% over compensated range
<b>Compensated Range</b>	32 to 122° F (0 to 50° C)
<b>Proof Pressure</b>	40" wc (10 kPa)
<b>Burst Pressure</b>	120" wc (30 kPa)
<b>Operating Conditions</b>	32 to 122° F (0 to 50° C), 10 to 90% RH non-condensing
<b>Media Compatibility</b>	Non-corrosive, non-ionic clean dry air or inert gases
<b>Power Supply (at transmitter)</b>	20 to 28 VAC/VDC (non-isolated half-wave rectified)
<b>Supply Current</b>	< 4 mA in voltage mode or 20 mA max. in current mode
<b>Input Voltage Effect</b>	Negligible over specified operating range
<b>Protection Circuitry</b>	Reverse voltage protected and output limited
<b>Output Signal Options</b>	4–20 mA (2-wire) 0–10 VDC (3-wire)
<b>Output Drive Capability</b>	400 ohm maximum @ 24 VDC for current mode or 10K ohms minimum for voltage mode
<b>Zero Adjustment</b>	Push-button auto-zero
<b>Wiring Connections</b>	Screw terminal block (14 to 22 AWG)
<b>Pressure Connections</b>	Barbed ports for 0.170" (5 mm) ID flexible tubing (two for TPE-1475 or one port and one probe for TPE-1477)
<b>Conduit Connection</b>	Access hole for 1/2" NPT conduit or cable gland
<b>Enclosure Material</b>	Polycarbonate UL94-V0, IP65 (NEMA 4X)
<b>Weight</b>	6 oz. (170 grams)
<b>Manufacturing</b>	ISO 9001 registered quality system

## Approvals

CE and RoHS Compliant

**NOTE:** These specifications are for models that started shipping April 2020. For specifications of earlier models, see Rev. B of this document.

## ▲ CAUTION

Ensure that the maximum individual port pressure does not exceed the maximum pressure range of the unit.

Use electrostatic discharge precautions during installation and do not exceed the device ratings.

Do not use in an explosive or hazardous environment, with combustible or flammable gases, as safety or emergency stop devices, or in any other application where failure of the product could result in personal injury.

## ACCESSORIES

### HFO-0015

Low-pressure pick-up tube, **4 inches** (101 mm) long



### HFO-0016

Low-pressure pick-up tube, **6 inches** (152 mm) long

### SSS-1002

Differential pressure flow sensor, one sensing point, **3-5/32 inches** (80 mm) long



### SSS-1003

Differential pressure flow sensor, two sensing points, **5-13/32 inches** (137 mm) long

### SSS-1004

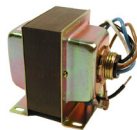
Differential pressure flow sensor, three sensing points, **7-21/32 inches** (195 mm) long

### SSS-1005

Differential pressure flow sensor, four sensing points, **9-29/32 inches** (252 mm) long

### XEE-6111-040

Transformer, 120-to-24 VAC, 40 VA, **single-hub**



### XEE-6112-040

Transformer, 120-to-24 VAC, 40 VA, **dual-hub**

## SUPPORT

Additional product and other resources are available on the web at [www.kmcccontrols.com](http://www.kmcccontrols.com).



### KMC Controls, Inc.

19476 Industrial Drive

New Paris, IN 46553

574.831.5250

[www.kmcccontrols.com](http://www.kmcccontrols.com)

[info@kmcccontrols.com](mailto:info@kmcccontrols.com)