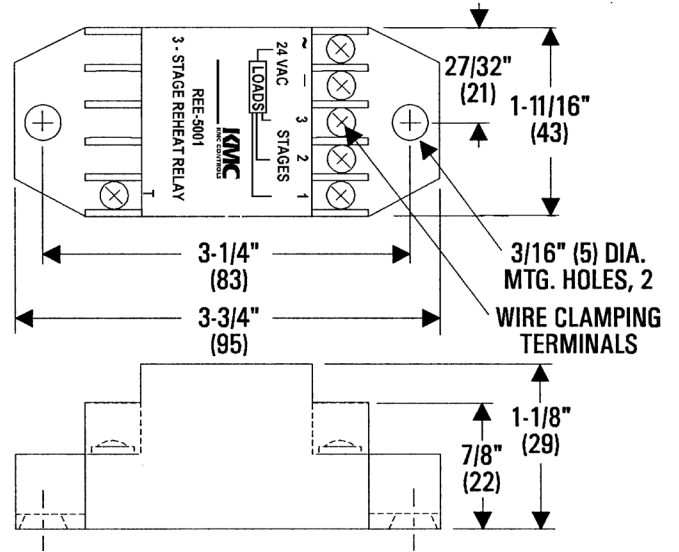
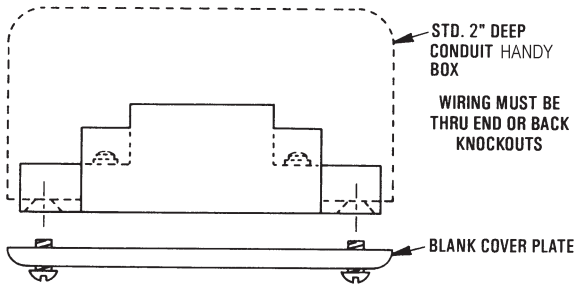


Installation Guide

Mounting

The module may be mounted directly to a control box surface or in a 2 x 4" electrical handy box. Add a blank cover to conceal the module if desired.



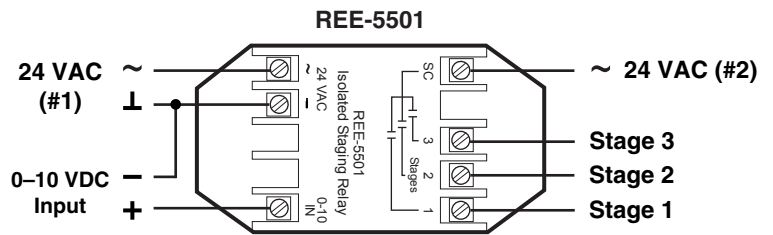
Connections and Wiring

Connect as shown in these examples and/or in the sample illustration on the next page. Supply the relay with 24 VAC (+20%/-15%). (Use wire size of 14 to 22 AWG, stranded.)

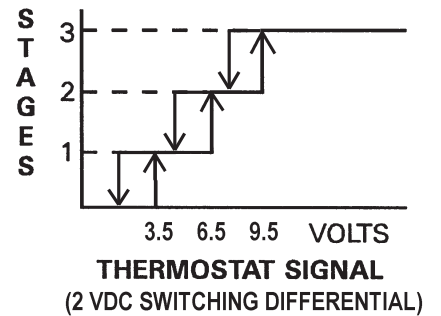
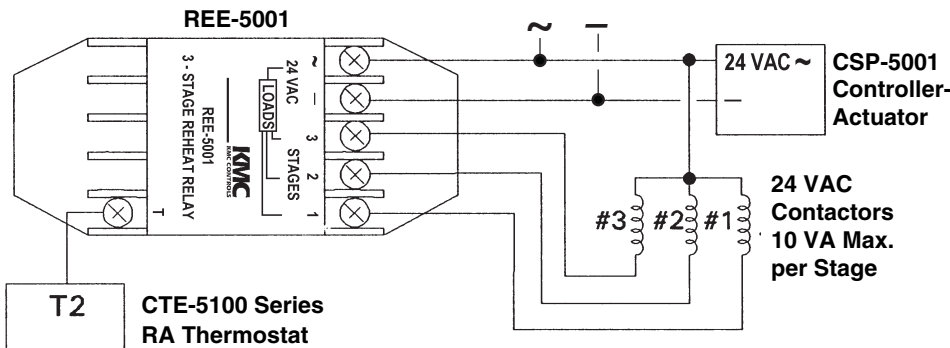
NOTE: Triac outputs are for 24 VAC loads only.

Check the graph for thermostat signal setpoints and corresponding stages. Stage 1 turns on at 3.5 VDC, Stage 2 at 6.5 VDC, and Stage 3 turns on at 9.5 VDC.

NOTE: There is a 2 VDC switching differential on each stage.



NOTE: REE-5501 triac outputs are isolated from its 24 VAC power. For additional information, see the installation guide for the BAC-5841-16 and BAC-5842-16.



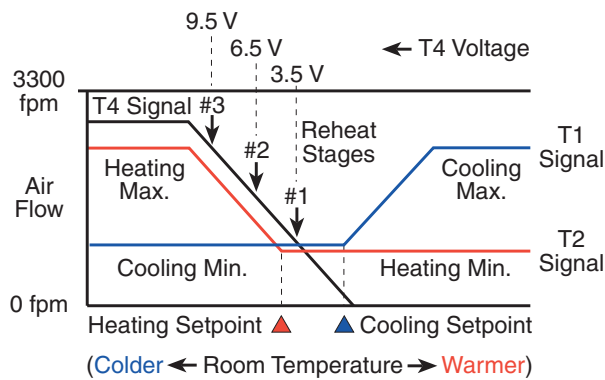
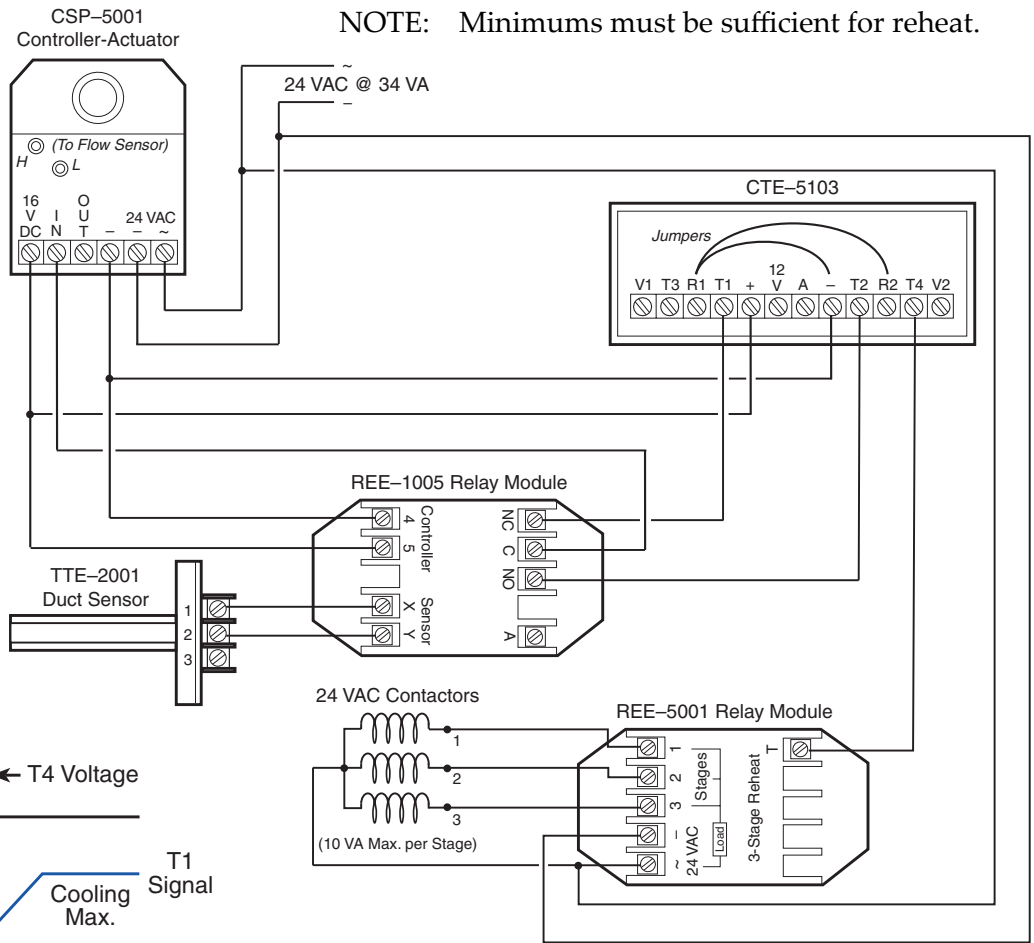
Sample Application

NOTE: For more information about this CSP-5001 and CTE-5103 example, see the CSP-5001/5002 VAV Flow Controller-Actuators Application Guide.

NOTE: Triac outputs are for 24 VAC loads only.

NOTE: For the REE-5001, the phase side of the transformer connects to the "common" side of the load (contactors).

NOTE: Minimums must be sufficient for reheat.



Troubleshooting

- Check the wiring.
- Check the voltage from the thermostat/controller (measured from Terminal T to Terminal ~/Neutral). (See the voltage charts above and on the previous page.)
- Check the voltage across the triac and load. (See the chart below.)

Stage Status	Normal Triac Voltage (Approximate, and With Load)	
	Across Load (Terminal ~/Phase to Terminal 1, 2, or 3)	Across Triac (Terminal ~/Neutral to Terminal 1, 2, or 3)
On	24 VAC	1 VAC
Off	0 VAC	24 VAC

Maintenance

No routine maintenance is required, however protection from extremes of humidity and dirt is recommended. Careful installation will also ensure long term reliability and performance.

Important Notices

The material in this document is for information purposes only. **The contents and the product it describes are subject to change without notice.** KMC Controls, Inc. makes no representations or warranties with respect to this document. In no event shall KMC Controls, Inc. be liable for any damages, direct or incidental, arising out of or related to the use of this document.

KMC Controls, Inc.
 19476 Industrial Drive
 New Paris, IN 46553
 574.831.5250

www.kmcccontrols.com; info@kmcccontrols.com