

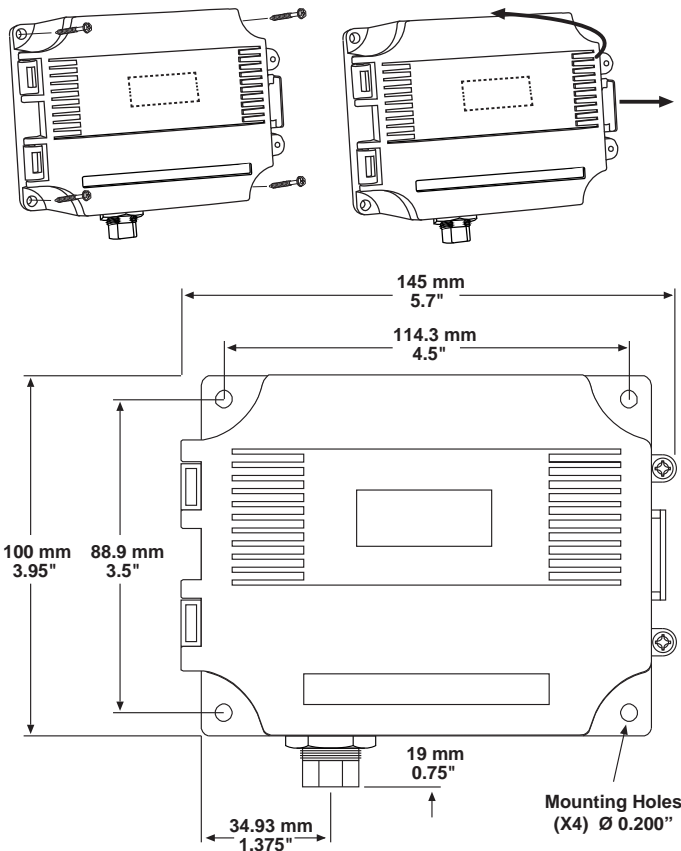
Installation Guide

Mounting

NOTE: This document is for units available starting in late 2008. See the original installation guide available on the KMC web site for installation and configuration information on older units with a different case and board.

Avoid locations with severe vibrations or excessive moisture. The enclosure has a standard 1/2-inch conduit opening and may be installed with either a conduit coupler or a cable gland type fitting.

1. Mount on a vertical surface with the pressure port on the bottom. Ensure there is enough space around the unit to make the pressure and electrical connections.
2. Use #10 screws (not supplied) through the tab holes to fasten the assembly to the mounting surface.
3. Install 1/2-inch conduit into the hole on the right side of the enclosure for the electrical connections.



⚠ WARNING

Do not use:

- In an explosive or hazardous environment.
- With combustible or flammable gasses.
- As a safety or emergency stop device.
- In any other application where failure of the product could result in personal injury.

⚠ CAUTION

Use electrostatic discharge precautions during installation.

Plumbing

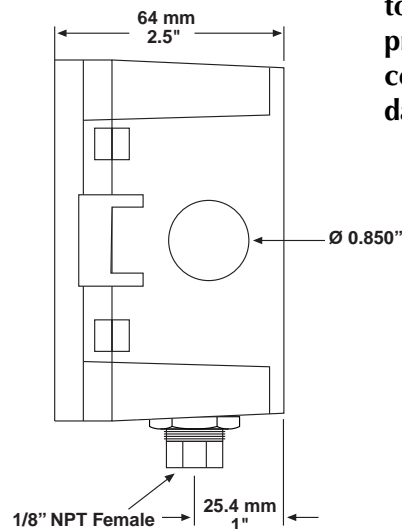
1. Use appropriately rated pressure tubing for the 1/8-inch NPT female connection.
2. Arrange the tubing to minimize stress on the connections.

⚠ CAUTION

Ensure that the maximum individual port pressure does not exceed the maximum pressure range of the unit.

⚠ CAUTION

Do not allow debris to get into the pressure ports since contamination can damage the sensor.



Wiring

This device is a 3-wire sourcing type transmitter. Use 22 AWG shielded wiring for all connections. Do not locate device wires in the same conduit as wiring supplying inductive loads (such as motors). Disconnect the power supply before making any connections to prevent electrical shock or equipment damage. Make all connections in accordance with national and local electrical codes.

NOTE: Board layout changed in mid-2015. Follow the terminal labels on the board.

1. Connect the positive DC voltage or the hot side of the AC voltage to the terminal marked **PWR**.
2. Connect the power supply common to the terminal marked **COM**. The unit is reverse-voltage protected and will not operate if connected backwards.

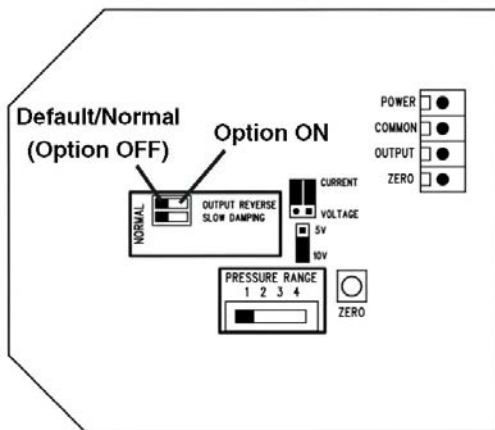
The analog output signal is available on the **OUT** terminal. This signal is jumper selectable for either voltage or 4 to 20 mA output. In voltage mode, either 0 to 5 or 0 to 10 VDC can also be selected.

⚠ CAUTION

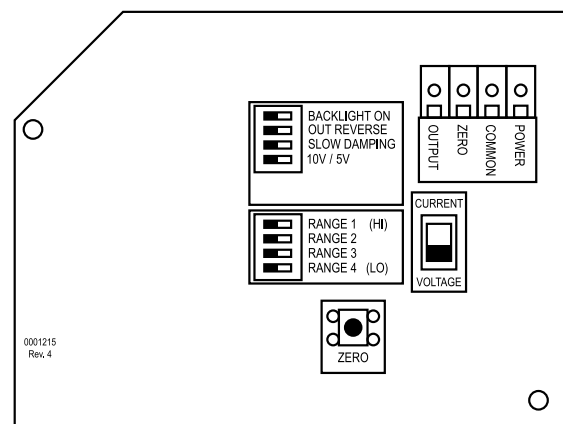
Do not connect power to the OUT terminal because the device will be damaged.

The remote zero feature may be used by wiring a dry-contact (relay only) digital output to the **ZERO** terminals. **Do not apply voltage to the ZERO terminals.**

NOTE: This is an active device. Turn **Off** the relevant input pull-up resistor selector switches on KMC KMDigital and BACnet controllers.

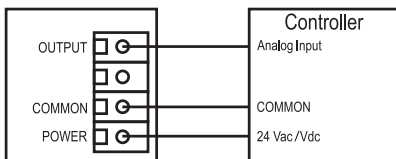


2nd Quarter 2015 and Earlier Boards

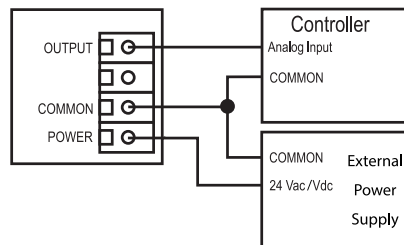


3rd Quarter 2015 and Later Boards

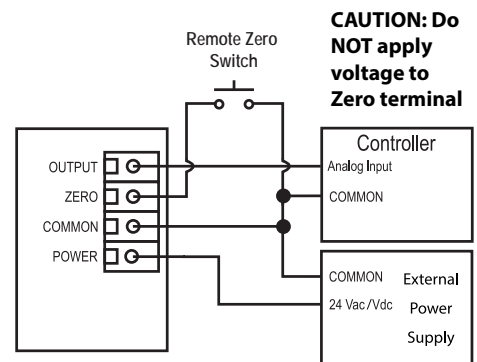
Wiring for all output signals and 24 VAC/VDC power from controller



Wiring for all output signals and external 24 VAC power transformer or 24 VDC power supply



Wiring if using the remote zero input



Connections

Set-Up

Configuration

Jumpers and switches are used to select the output signal type, the input pressure range, and several options. The device is factory configured to operate in the 4 to 20 mA output mode but can be changed to voltage mode by moving the two jumpers from the **CURRENT** positions to the **VOLTAGE** positions.

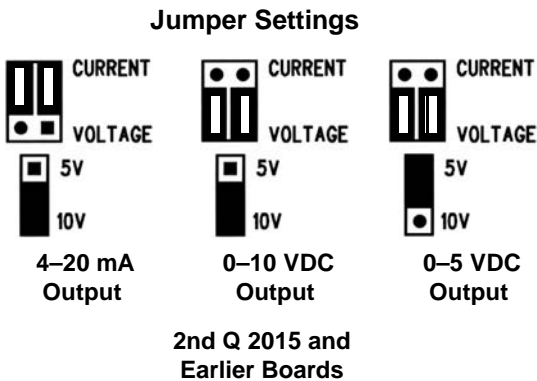
⚠ CAUTION

Change the output jumper positions only while the power is removed.

Always note the current jumper position before moving them to the new position. If the jumpers are rotated 90 degrees and installed incorrectly the product will not work and damage may occur.

Voltage/Current Settings

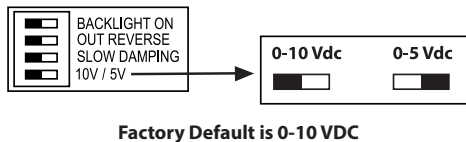
For voltage/current/range selection, see the illustration for jumper and switch settings.



Output Type (Switch) Selection



Output Voltage Span (Switch) Selection



3rd Q 2015 and Later Boards

Range

NOTE: Range and Options switches can be changed while the unit is operating, but **change the Output jumpers only with the power removed.**

Model	0 to x Pressure Range (Switch Position)			
	1	2	3	4
1464-1	100 psi	50 psi	20 psi	10 psi
1464-2	200 psi	100 psi	40 psi	20 psi
1464-3	500 psi	250 psi	100 psi	50 psi

Slow Damping

For surge dampening, this switch provides an averaging period of 8 seconds instead of the default 4 seconds.

Output Reverse

This switch reverses the output signal polarity. In reverse mode the analog output is maximum when the pressure differential is zero and decreases as pressure increases.

Operation

For normal operation such as 0 to 100 psi, the port is used to measure a positive pressure and 0 psi = 4 mA or 0 VDC and 100 psi = 20 mA or 10 VDC (on 10 V range).

Calibration

With the port open to the ambient pressure or equalized at 0 pressure:

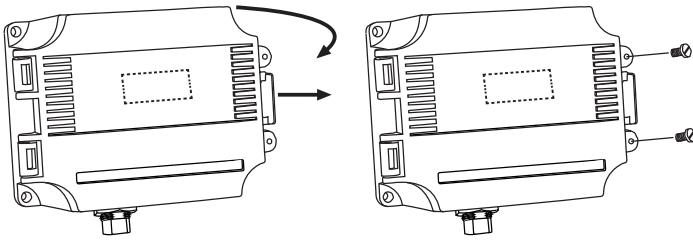
1. Press and hold the auto-zero button or provide contact closure between the **ZERO** and **COMMON** terminals for at least 3 seconds.
2. Release the button, and the device will calculate and store the new zero point.

NOTE: To protect the unit from accidental zeroing this feature is enabled only when the detected pressure on both ports is less than 5% of the full range.

Securing the Case

After setup is complete, push the cover closed until it snaps shut.

Optionally, use two (supplied) screws to secure the cover closed.



Maintenance

No routine maintenance is required. Each component is designed for dependable, long-term reliability and performance. Careful installation will also ensure long-term reliability and performance.

KMC Controls, Inc.
19476 Industrial Drive
New Paris, IN 46553
574.831.5250
www.kmcccontrols.com
info@kmcccontrols.com