

## Installation Guide

### Mounting Linkage to Valve

1. Thread nut (1) onto valve stem (8) approximately 1".
2. Place flat washer (2) on top of nut (1).
3. Screw linkage (7) onto valve bonnet (9) until base of linkage contacts the base of valve bonnet.
4. Rotate linkage to the position shown in FIG. 2.

**NOTE:** To properly position the linkage on the valve and prevent the flange on the bonnet adaptor (11) from pulling into the base of linkage, use a flat screwdriver to spread the tabs apart slightly.

5. Gently tap the base of linkage housing, around the bonnet adaptor (11), with a rubber mallet to properly seat the housing against the adaptor.
6. Assemble washer plate (4) and threaded plate (5) onto the housing tabs with 2 screws (6). Tighten the tab screws (6) evenly until snug against the tabs.
7. Rotate the linkage to align it with the valve ports as shown in FIG. 3.
8. Evenly torque the tab screws (6) to 25-30 in-lbs.
9. Face the lever (12) and rotate it counterclockwise until the connecting rod (10) contacts the lower valve stem nut (1).
10. Thread the upper valve stem nut (1) onto the valve stem (8) until 1/16" to 1/8" of valve stem is visible above the nut (1).
11. Rotate the lever (12) clockwise to lift the connecting rod (10) up and around the upper valve stem nut flats (1).
12. Hold the connecting rod (10) with a wrench to keep it from twisting and tighten the lower valve stem nut (1) against the connecting rod.
13. Rotate the lever (12) until valve stem is in the full up position.
14. Loosen the set screws on the lever (12). Reposition the lever so that the end of the handle is just inside the left side of the linkage housing. Tighten the 2 set screws on lever.

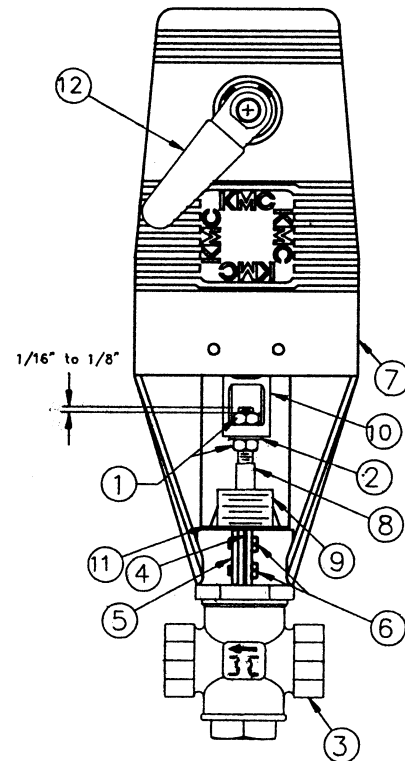


FIG. 1

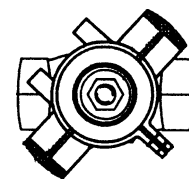


FIG. 2

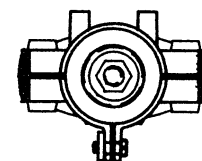


FIG. 3

**Proceed to actuator mounting instructions.**

## Mounting MEP-5000 Actuators to Linkage

1. Rotate the valve linkage lever (1) so that the valve stem is fully down.
2. Depress the actuator's disengagement button (5) and manually position the edges of actuator pointer between the 10° and 15° marks.
3. Place the actuator over the linkage shaft (2) and the non-rotation bracket (3).
4. Tighten 2 set screws (4) on the actuator output hub while holding the linkage lever to ensure that the valve stem stays down.
5. Confirm the unit's operation by depressing the disengagement button (5) and rotating the linkage lever (1) in each direction.

NOTE: The pointer MUST NOT rotate past the 5° or 85° marks (see FIG. 5 and FIG. 6).

6. If conditions in Step 5 are not met, loosen the 2 set screws (4) and readjust.

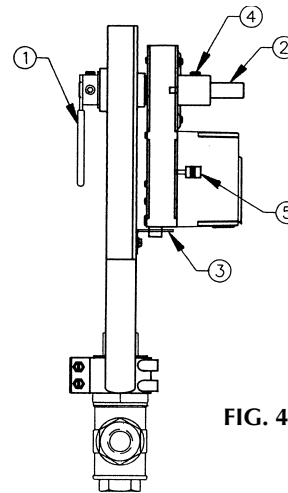


FIG. 4

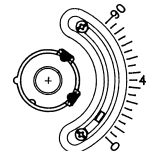


FIG. 5

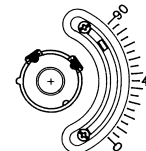


FIG. 6

## Mounting MEP-1200 Actuators to Linkage

1. Rotate the valve linkage lever (1) so that valve stem is fully down.
2. Depress the actuator's disengagement button (5) and manually position the pointer to the first mark from full Clockwise (see FIG.8)
3. Place the actuator over the linkage shaft (2) and the non-rotation pin (3) until the cover on the actuator rests against the linkage cover.
4. Finger tighten 2 coupler nuts (4) until the u-bolt (6) contacts the linkage shaft (2).
5. Holding the linkage lever (1) to assure valve stem stays down, and checking that the actuator cover is held against the linkage, evenly torque the 2 coupler nuts (4) to 110-120 in-lbs.
6. Check final operation by depressing the disengagement button (5) and rotating the linkage lever (1) in each direction.

**3-Way Valves:** The valve seats should limit the actuator pointer between the first mark from full clockwise (FIG. 8) and the first mark from full counterclockwise (FIG. 9).

**2-Way Valves:** The valve seat should limit the actuator pointer from passing the first mark from full clockwise (FIG. 8).

7. Readjust, if needed, by loosening the 2 coupler nuts (4) and adjusting.

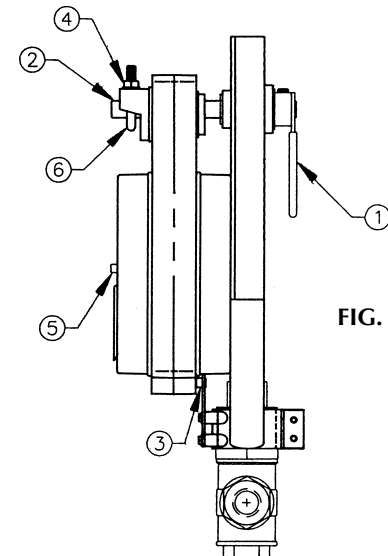


FIG. 7

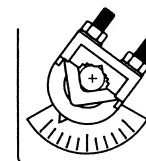


FIG. 8

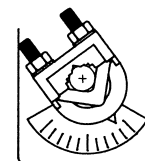


FIG. 9

## Maintenance

No routine maintenance is required. Component are designed for dependable, long term reliability and performance. Careful installation will also ensure this performance.

**KMC Controls**  
P.O. Box 497  
19476 Industrial Drive  
New Paris, IN 46553  
TEL: 574.831.5250  
www.kmcccontrols.com