

# Installation Guide

## Mounting

1. Drill an opening in the supply air duct to accept the 3/4" diameter sensor.
2. Mount the unit on the duct using three self-tapping screws in the 7/32" diameter mounting holes.

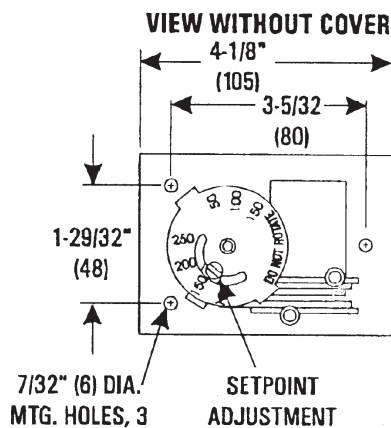


Illustration 1—Setpoint Adjustment and Dimensions

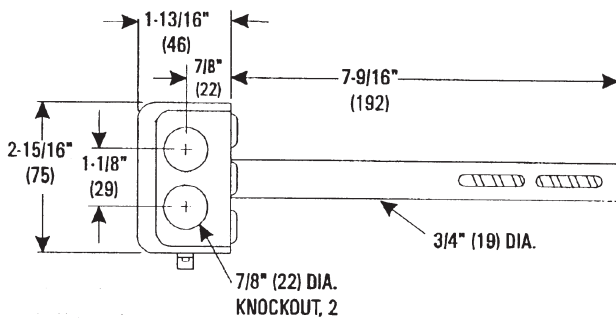


Illustration 2—Side Dimensions

## Maintenance

Periodically inspect the element for dirt/dust build-up. Each component is designed for dependable, long term reliability and performance. Careful installation will also ensure long term reliability and performance.

## Wiring

1. Thread wiring for the low-voltage or line-voltage circuit through the two 7/8" knockouts.

NOTE: If more than one CTE-6001 is connected to the same load, connect them in series.

2. Connect the front terminals. Orient the cup washer so the flat surface is against the terminal. (See Illustration 3.)

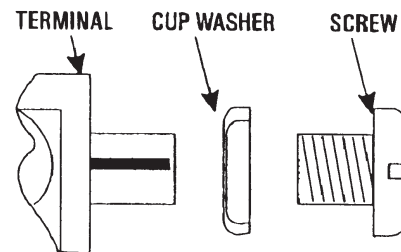


Illustration 3—Terminal (Exploded View)

## Adjustments and Calibration

The CTE-6001 is shipped with a preset "cut-out" temperature of 135° F (57° C). The temperature setpoint is field adjustable in a range of 100 to 250° F (38 to 121° C).

To set "cut-out" temperature:

1. Loosen the screw in the setpoint adjustment lever. (See Illustration 1.)
2. Slide the LEVER to the desired temperature.

NOTE: Do NOT rotate the DIAL.

3. Retighten the screw in the lever.

**KMC Controls, Inc.**  
 19476 Industrial Drive  
 New Paris, IN 46553  
 574.831.5250

www.kmccontrols.com; info@kmccontrols.com