

## Installation Guide

### Assembly

**NOTE:** If a VFB-4\_\_\_BC is ordered, this kit is already installed on the valve body—proceed to Actuator Mounting section on the next page!

**NOTE:** Only CEP-4703V and MEP-4xxxV actuators can be used with this adapter. They have an attached handle and shaft as well as a plastic mounting bracket on the bottom of the actuator.

**NOTE:** See the relevant MEP-4xxx series data sheet for valve date code and actuator replacement information.

1. Assemble the kit (as shown in Illustrations 1 through 4) to the valve body by installing the two appropriate screws from the kit through the adapter's valve base into the two holes of the valve body. **Be sure the valve base, the yellow high-pressure indicator (if present), and the "T" or "-" engraved in the valve stem are all oriented properly as shown in Illustration 2 and 3! Two-way valve bodies should be full open, and three-way bodies should be positioned for A-AB flow.**

**NOTE:** The two shorter machine screws with the Philips heads are for the (VSI) steam-rated valve bodies (VFB-4303\_SX or VEB-4303\_SDL valves). The two longer machine screws with the hex heads are for the regular (Griswold) valve bodies (VFB-4\_\_\_BX or VEB-4\_\_\_B\_ valves).

**NOTE:** If desired for space reasons, the valve base can be installed at a 90° degree angle by removing the two existing screws in the valve body and reinstalling them in the positions 90° from the original position. After assembly, the actuator will be at a 90° angle from the pipe.

2. To prevent the locking bail/clip from being lost in future use, attach the beaded tie around the valve bonnet and attach the other end in the hole of the bail.
3. See the Actuator Mounting section for mounting the actuator on the assembled valve body.

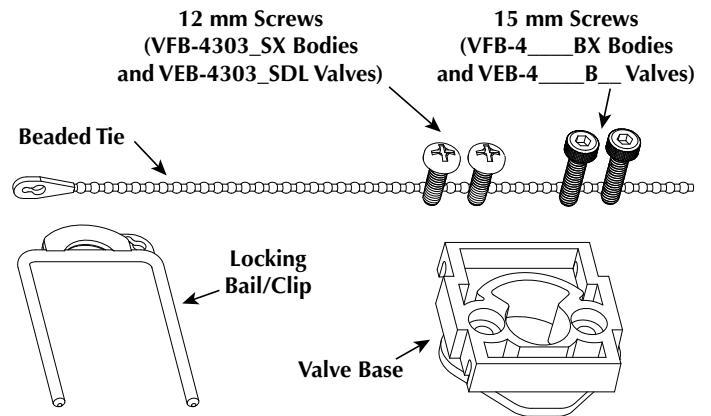


Illustration 1—HPO-5074 Adapter Parts

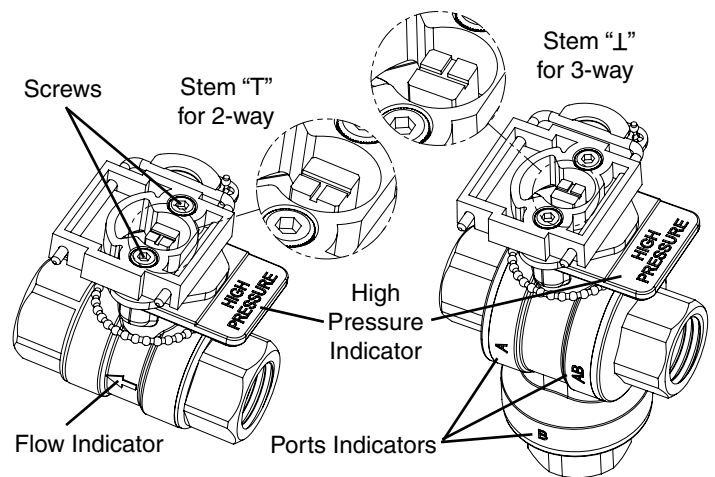


Illustration 2—Valve Body and Base Orientation (Griswold)

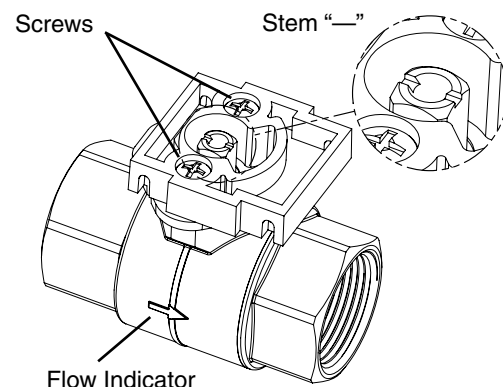


Illustration 3—Valve Body and Base Orientation (VSI)

## Actuator Mounting

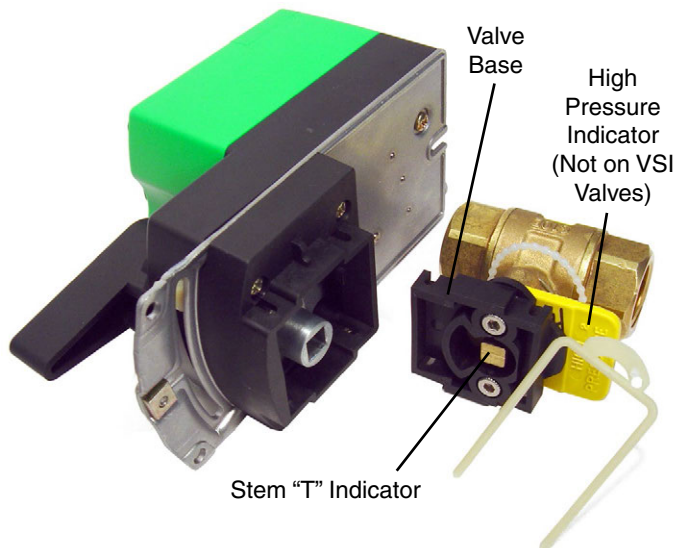


Illustration 4—MEP-4002V and Assembled Valve Body

1. On the actuator, push and hold the manual release lever (at the rear of the actuator) and rotate the actuator to the **full counter-clockwise** position so that the handle is pointing out in a straight line from the actuator. See Illustrations 4 and 6.
2. The valve stem must be oriented as shown in Illustration 2 or 3. If necessary, use a needle-nose pliers to carefully reposition it.
3. Push the actuator onto the valve stem until it is fully seated.
4. Insert the bail all the way into the two holes until it clicks in position and locks the assembly. See Illustration 5.
5. Push and hold the manual release button and verify operation of the assembled valve.

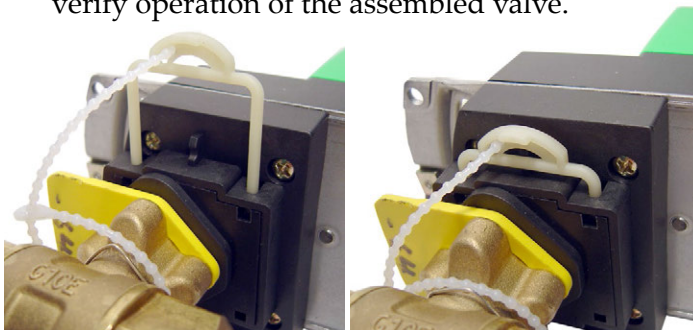


Illustration 5—Locking the Assembled Valve

## Maintenance

No routine maintenance is required. Each component is designed for dependable, long-term reliability, and performance. Careful installation will also ensure long-term reliability and performance.

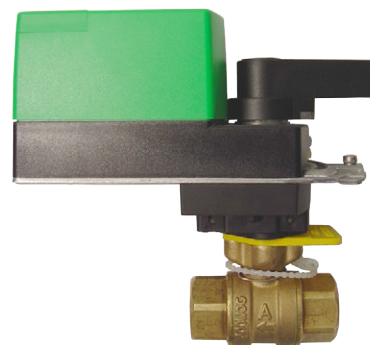


Illustration 6—Assembled Valve

**NOTE:** For more information, see the relevant data sheet and installation guide for the CEP-4703/4703V, MEP-4000/4800, MEP-4200/4500/4900 series actuators and the VEB-43 and VEB-46 series valves!

## Cross-Reference

Typical Application	3-way H/C Water	2-way H/C Water	2-way PIC-V H/C Water
KMC Valve Body	VFB-46__BX, VFB-46__BC*	VFB-43__BX, VFB-43__BC*	N/A
KMC Valve	VEB-46__B__	VEB-43__B__	
Valve Solutions (VSI)	UR3 Series	UR2 Series	SPV Series
Griswold	UR3 Series	UR2 Series	SPV Series
Delta Control Products	ST Series	ST Series	ATI Series
Honeywell	VBN3 Series	VBN2 Series	N/A
Siemens	599 Series	599 Series	

\*VFB-4\_\_BC valve bodies come with the HPO-5074 installed.

## Important Notices

The material in this document is for information purposes only. The contents and the product it describes are subject to change without notice. KMC Controls, Inc. makes no representations or warranties with respect to this document. In no event shall KMC Controls, Inc. be liable for any damages, direct or incidental, arising out of or related to the use of this document.

**KMC Controls, Inc.**  
19476 Industrial Drive  
New Paris, IN 46553  
574.831.5250

[www.kmcccontrols.com](http://www.kmcccontrols.com); [info@kmcccontrols.com](mailto:info@kmcccontrols.com)