

## Installation Guide

### Mounting

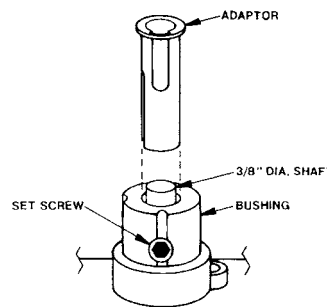
These actuators are designed to mount on a standard 1/2 in. (13 mm) diameter shaft or a 3/8 in. (9.5 mm) shaft using the optional HFO-0011 adaptor.

#### Standard Instructions

- Slide the actuator directly onto the 1/2 in. diameter damper shaft. The shaft must extend a minimum of 1-3/4 in. from the mounting surface. (For a 3/8 in. shaft, see [HFO-0011 Adaptor on page 1.](#))
- Place the non-rotation bracket (supplied) on the non-rotation tab (see illustration). Leave a gap of 1/8" between the bottom surface of the actuator and the bracket to allow for play during operation.
- Attach the non-rotation bracket to the mounting surface using (2) #8 or #10 self-tapping screws (not included).
- Depress the gear disengagement button and:
  - Rotate the drive hub until the indicator stops at the "90" mark if the damper is **clockwise (CW)** to close.
  - Rotate the drive hub to the "0" mark if the damper is **counterclockwise (CCW)** to close.
- Position the damper to full open.
- Torque the two 5/16-18 set screws 75 to 85 in.-lb.
- Depress the gear disengagement button and rotate the drive hub/damper to the closed position.
- Loosen the adjustable end stop, position against the damper position indicator, and retighten (to 9 in.-lb. maximum).

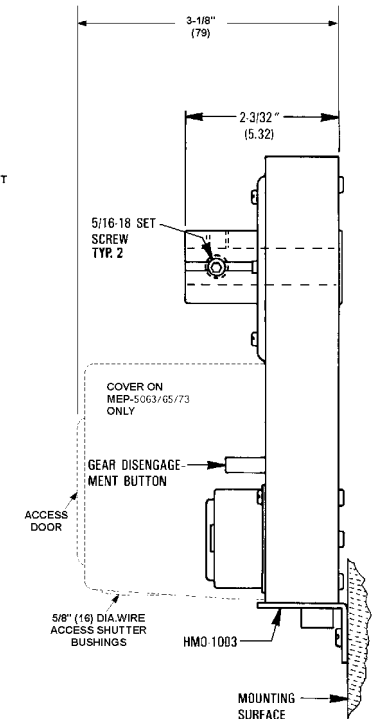
#### HFO-0011 Adaptor

- Mount the actuator over the 3/8 in. shaft.
- Slide the HFO-0011 over the shaft into the drive hub of the actuator.
- Align the adaptor slots with the set screws.
- Partially tighten the set screws.
- Continue with Step 2 under the Standard Instructions section above.

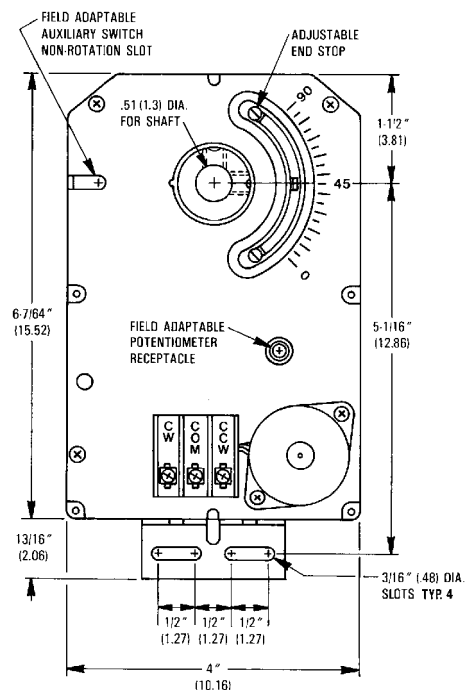


HFO-0011 Adaptor

**NOTE:** On a MEP-5063/5065/5073, access to the gear disengagement button is through the cover's access door.



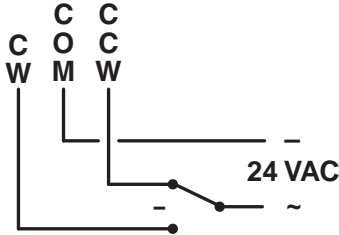
Actuator Side View



Actuator Front View

## Wiring

- Connect the common to the “COM” terminal.
- Connect the clockwise 24 VAC lead to the “CW” terminal.
- Connect the counterclockwise 24 VAC lead to the “CCW” terminal.



Wiring Detail

## Maintenance

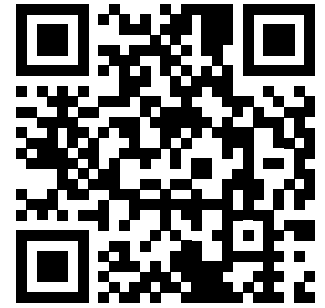
No routine maintenance is required. Careful installation will also ensure long term reliability and performance.

## Important Notices

The material in this document is for information purposes only. **The contents and the product it describes are subject to change without notice.** KMC Controls, Inc. makes no representations or warranties with respect to this document. In no event shall KMC Controls, Inc. be liable for any damages, direct or incidental, arising out of or related to the use of this document.

## More Information

For **specifications and list of accessories**, see the [MEP-5061/5071 Data Sheet](#) on the KMC Controls [web site](#).



For information about a **rotary feedback potentiometer**, see the [CME-2003 Rotary Feedback Potentiometer](#) on the KMC Controls [web site](#).



For information about **auxiliary switches**, see the [CME-1000 Series Rotary Cam Auxiliary Switches](#) series on the KMC Controls [web site](#).



**KMC Controls, Inc.**  
19476 Industrial Drive  
New Paris, IN 46553  
574.831.5250  
[www.kmcccontrols.com](http://www.kmcccontrols.com)  
[info@kmcccontrols.com](mailto:info@kmcccontrols.com)