

## Installation Guide

### Mounting

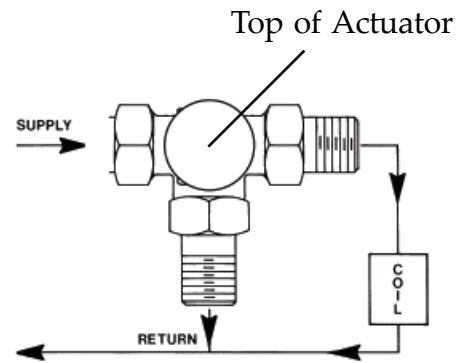
The VEP-3419 is designed for full flow/fail-safe to the system return. The VEP-3719 is designed for systems requiring full flow/fail-safe to the coil.

1. Clean the lines upstream from the valve. Remove any debris  $>0.06"$  (.015 mm).
2. Install as close as possible to the coil in a vertical position (actuator over the valve).

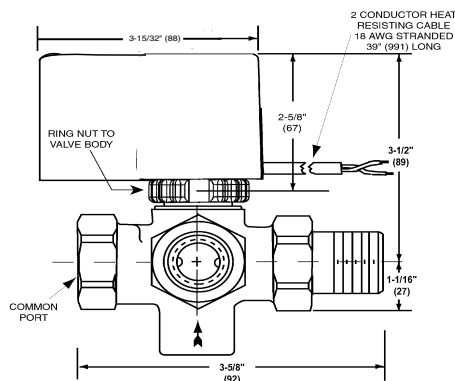
**CAUTION:** Mount valve with the actuator in the upright position, or at most a 45° angle, to prevent condensation collecting in the actuator housing.

3. Allow a minimum clearance of 1-1/2" (38mm) between the top of the actuator and the nearest obstruction. This permits removal of the actuator yoke and replacement of the bonnet assembly.
4. Align system flow with arrow on valve body.
5. Pipe the VEP-34/37 so the side outlet feeds the return of the systems. This outlet uses a metal to metal seat and may not be leak tight. Align system flow with arrow on valve.
6. Seal valves with approved valve sealant.

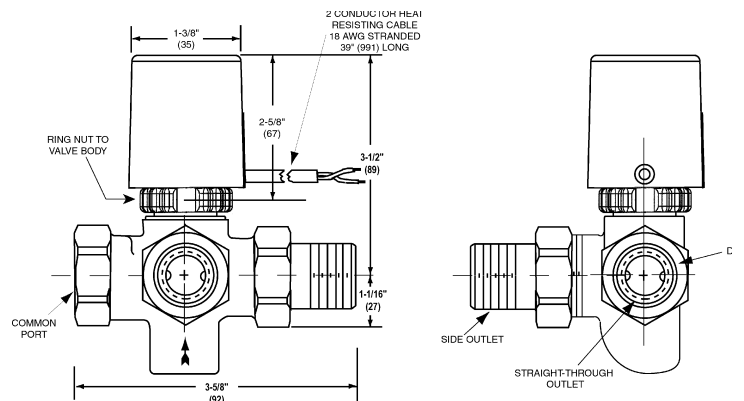
7. Connections: Inlet 1/2" FPT  
Outlets 1/2" MPT



Piping VEP-3419/3719 SERIES



VEP-3419



VEP-3419 or VEP-3719 with Fail-safe

# Wiring

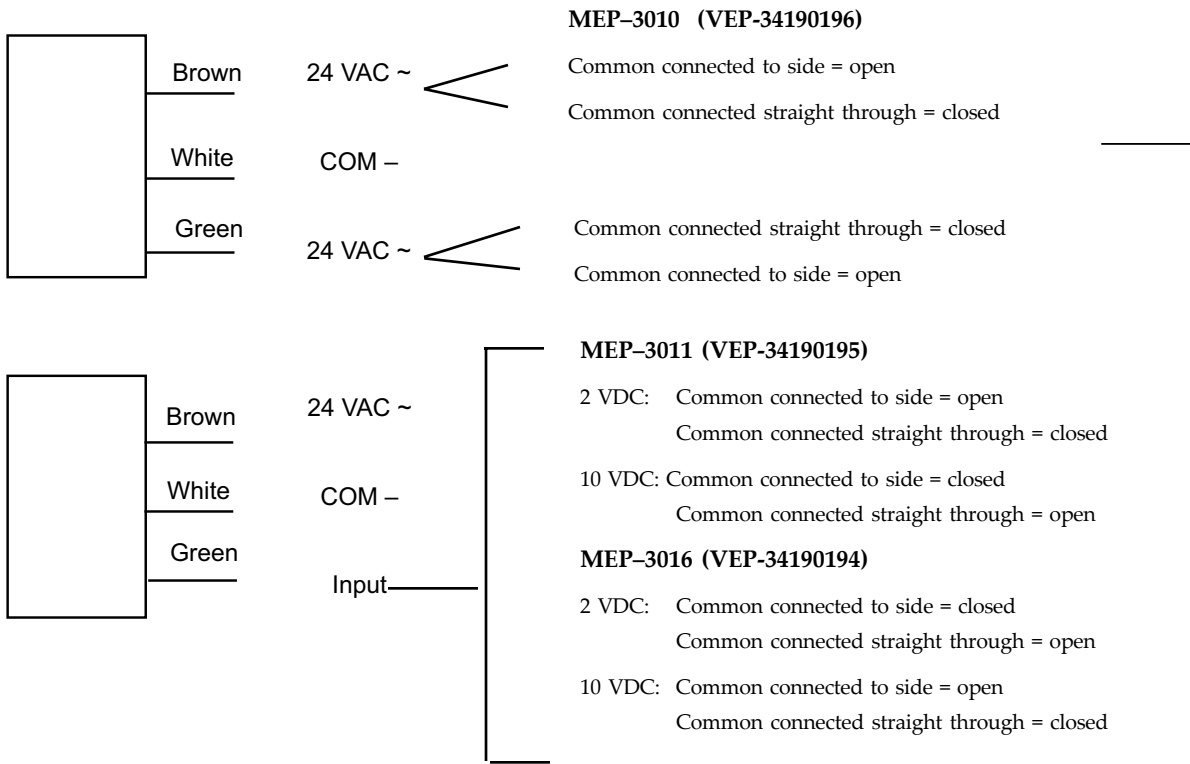
Valves may be connected with 3/8" flexible conduit using a HMO-4530 adaptor (not included).

The VEP-34190186 and 37190186 come with a 2 conductor, 18 AWG, heat resistant cable.

- Blue - neutral
- Brown - hot

MODEL NUMBER	VOLTAGE	ACTUATOR MOTION	SIDE OUTLET	STRAIGHT-THROUGH OUTLET	FAILS TO:
VEP-34190186	24 VAC	Normally Closed	Normally Open	Normally Closed	Return
VEP-37190186	24 VAC	Normally Open	Normally Closed	Normally Open	Coil

The VEP-3419 come with a 3 conductor, 18 AWG, heat resistant cable. VEP-34190196 (MEP-3010), VEP-34190195 (MEP-3011), VEP-34190194 (MEP-3016).



# Maintenance

No routine maintenance is required. Each component is designed for dependable, long term reliability and performance. Careful installation will ensure long term performance. Limit field repairs to the replacement of the complete bonnet assembly or valve disc.

**KMC Controls**  
 19476 Industrial Drive  
 New Paris, IN 46553  
 TEL: 574.831.5250  
 FAX: 574.831.5252  
 www.kmccontrols.com