

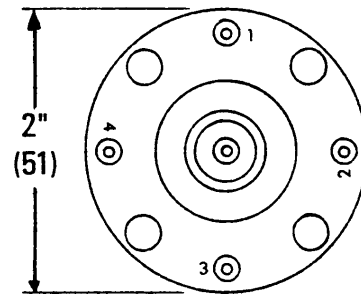
Installation Guide

Mounting

The RCC-1501 and 1503 relays are designed for in-line mounting. The RCC-1502 and 1504 are designed for right angle bracket mounting. Use the two self-tapping screws inserted through the bracket's 7/32" mounting holes to attach the relay to any surface. The relays are not position sensitive.

Connections

- ◆ All port connections use 1/4" O.D. polyethylene tubing.
 - ◆ Use only clean, dry control air. No attempt should be made to use any other medium.
1. Connect Main air to the center port (20 psig with 30 psig maximum).
 2. Connect the input to Port "3".
 3. Connect the output to Port "1".

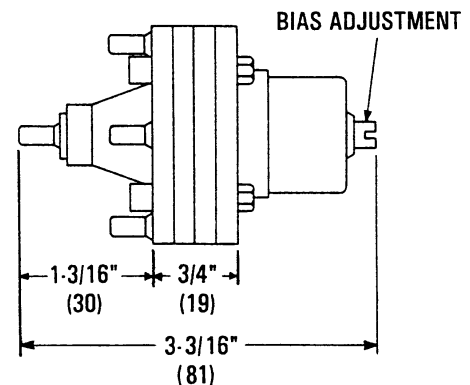


Adjustments

The RCC-1501 and 1502 are factory calibrated to 8 psig. Models 1503 and 1504 are factory calibrated to 9 psig.

To adjust the bias:

1. Apply main air supply to center port.
2. Connect an accurate gauge to Port "1".
3. Apply signal pressure to Port "3".
3. Turn bias adjustment until the gauge reads desired pressure. The bias may be adjusted +/- 15 psi.



Maintenance

No routine maintenance is required.

The RCC-1501-1504 relays are designed for dependable, long term reliability and performance.

KMC Controls
19476 Industrial Drive
New Paris, IN 46553
574.831.5250
www.kmccontrols.com