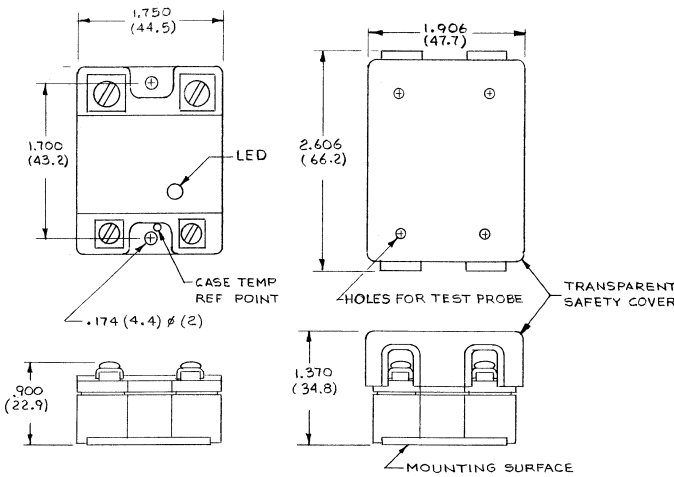


Installation Guide

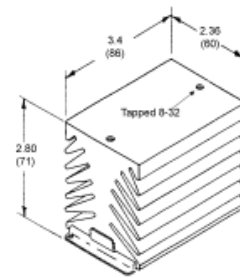
Mounting

- The REE-2004 may be mounted directly to a control panel backplate surface.
- No heat sink is required for loads up to 4 amperes. Loads greater than 4 amperes require a heat sink and thermal pad.



Power Dissipation			
REE-2004-10		REE-2004-25	
Current	Watts	Current	Power
10	11	25	31
8	9	20	23
6	6	15	16
4	4	10	10
2	2	5	5

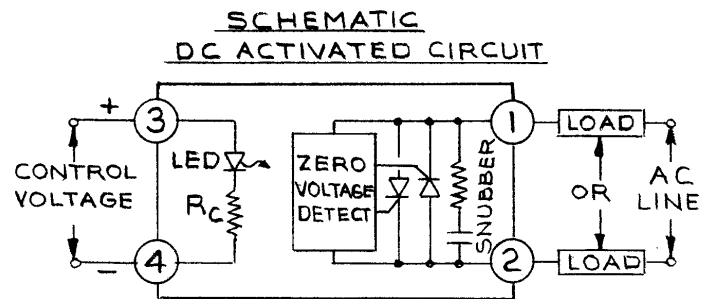
Max heatsink temperature=90°C



HPO-4611 Heat Sink

Wiring

Connect input directly to the DC output of the KMC controller. The load may connect to either Terminal 1 or Terminal 2.



Maintenance

No routine maintenance is required. Each components design and material selection assures long-term reliability and performance. Careful installation and proper heat sinking will enhance long term reliability and performance.

KMC Controls
 19476 Industrial Drive
 New Paris, IN 46553
 TEL: 574.831.5250
 FAX: 574.831.5252
 www.kmccontrols.com