

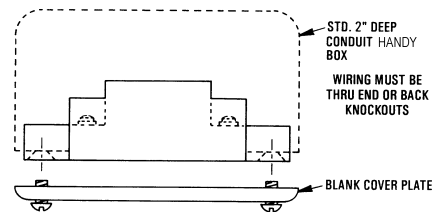
Installation Guide

Required Tools

- digital voltmeter
- small phillips screwdriver
- small flatblade screwdriver

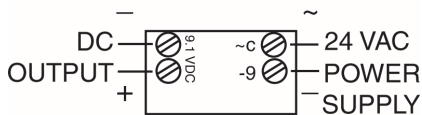
Mounting

- XEE-4002 and XEE-5002 may be mounted directly to a control box surface or in a 2" x 4" electrical handy box.
- Add a blank cover to conceal the module.

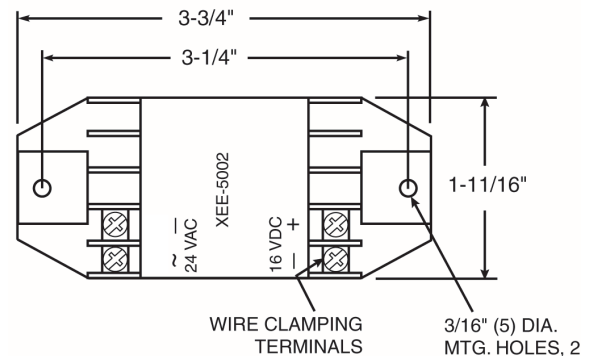
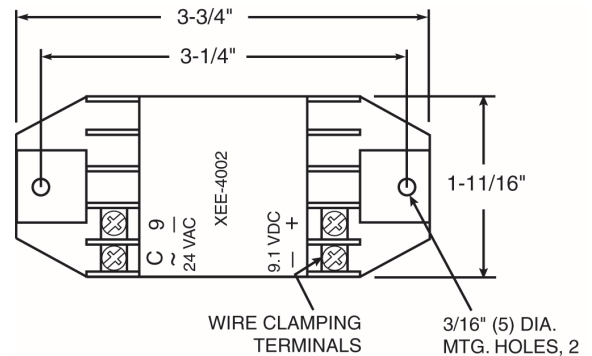


Wiring

- Supply the unit with 24 VAC, +20%/-15%
- If one side of the transformer must be connected to earth ground, connect this side to terminal "9"
- Wire as shown



Wiring Detail



Maintenance

No routine maintenance is required, however protection from extremes of humidity and dirt is recommended.

Careful installation will also ensure long term reliability and performance.

KMC Controls
P.O. Box 497
19476 Industrial Drive
New Paris, IN 46553
U.S.A.
TEL: 574.831.5250
FAX: 574.831.5252
E-mail: info@kmcccontrols.com