

Description and Application

These auxiliary switches are designed to start and stop auxiliary items (such as electric heat or fans) or to indicate an actuator's fully open or closed position.

Models are available with single (CME-7001) or dual (CME-7002) switches and mount to KMC Controls MEP-7xxx series actuators. The single or dual switch models are fully adjustable over the actuator's 0 to 90° rotation. Switches are independently adjustable for a trip point anywhere within the angular rotation of the driving actuator.

Specifications

Switch Rating	12 A @ 250 VAC 1/3 hp @ 250 VAC 1/4 hp @ 125 VAC
Switch Point	Fully adjustable over 0 to 90° actuator rotation
Connection	3-foot, 18-gauge cable
Material	Black flame-retardant plastic
Weight	CME-7001, 5.6 oz. (159 g); CME-7002, 6.6 oz. (187 g)
Approvals	UL 873 Temperature Indicating and Regulating Equipment
Temperature Limits	
Operating	-5 to 120° F (-21 to 49° C)
Shipping	-40 to 140° F (-40 to 60° C)

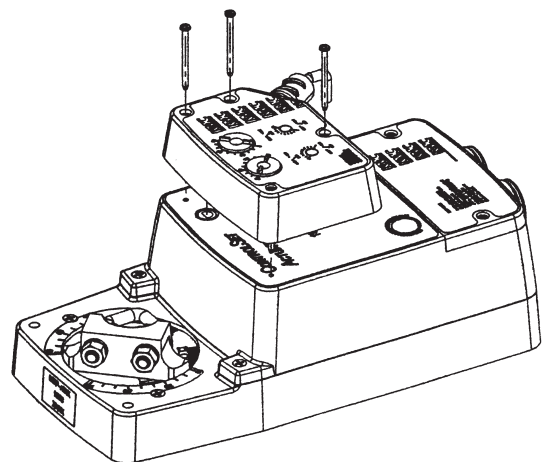
Models

CME-7001	Single auxiliary switch, 1 SPDT
CME-7002	Double auxiliary switch, 2 SPDT



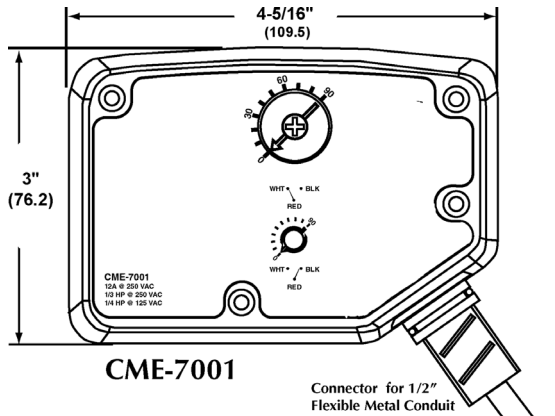
Features

- ◆ Single or dual switch models
- ◆ Fully adjustable over actuator's 0 to 90° rotation
- ◆ Pre-cabled connections
- ◆ Attach to to MEP-7xxx series actuators

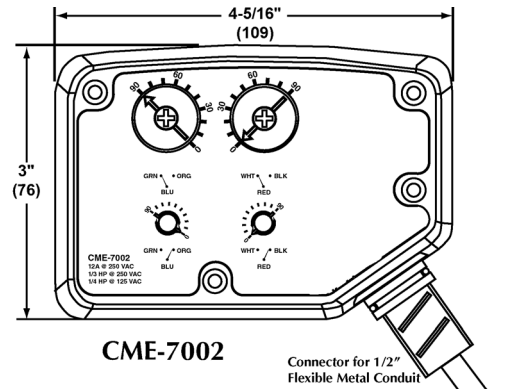
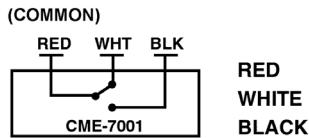


Dimensions and Wiring

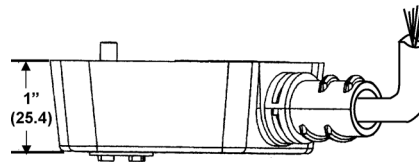
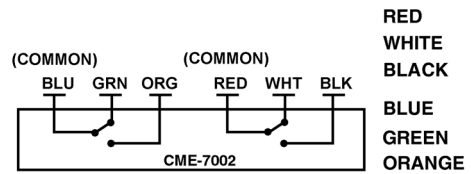
All dimensions are in inches (mm)



Single SPDT Auxiliary Switch



Dual SPDT Auxiliary Switch



KMC Controls, Inc.

19476 Industrial Drive

New Paris, IN 46553

574.831.5250

www.kmcccontrols.com

info@kmcccontrols.com