

### Description and Application

The KMC CTE-1005 electronic thermostats are designed to be used with specific CEE/CEP/CSE/CSP-4000 series controller-actuators for controlling damper actuators and/or valves in HVAC systems. The ability to adjust minimum and maximum limits is at the thermostat rather than at the controller. They are direct-acting, dual-setpoint thermostats for day/night reset applications. Available model options include night/day or day/night setpoints and °F or °C scale.

Additional outputs are provided for control of optional KMC REE-4000 series relay modules. The 0–6 VDC output (T3/T4) are not restricted by the minimum and maximum control points.

Cover construction allows for the setpoint indicator and thermometer to be either visible or concealed. Optional accessories include an insert for concealing the window and stops to lock/restrict the setpoint adjustments.

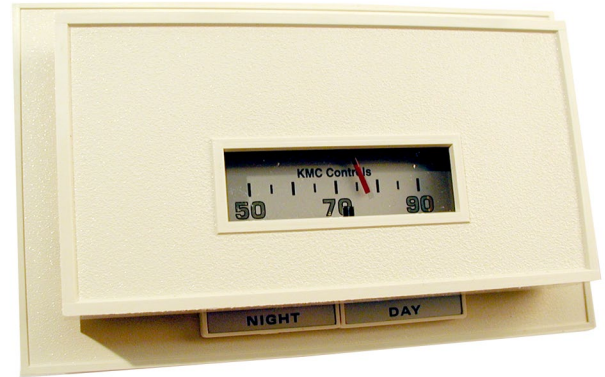
CTE-1005 thermostats are intended for use with the following KMC controller/actuators:

- CEE-4000 Series
- CEP-4000 Series
- CSE-4000 Series
- CSP-4000 Series

An optional XEE-4002 9.1 VDC power supply module can power the thermostat. Then the thermostat can be used (without the controller-actuator) to control a damper or valve operated by an MEP series actuator or to control other devices via optional REE-4000 series relays.

For similar thermostats with temperature averaging capability and altered proportional bands for fan box relay applications, see the [CTE-1105 Data Sheet](#).

**NOTE:** For many applications, the CTE-1005 and the discontinued CTE-1008 can be replaced by a CTE-5202 electronic thermostat with an LCD display. For details, see the [CTE-5202 Data Sheet](#) and the [CTE-5202 Applications Guide](#).



### Features

- ◆ Dual setpoint for day/night reset applications
- ◆ Adjustable min./max. temperature limits
- ◆ Additional 0–6 VDC output (T3) available for control of KMC REE-4000 series relay modules
- ◆ Visible or hidden setpoint indicator
- ◆ Heating and cooling flow adjustments

### Models

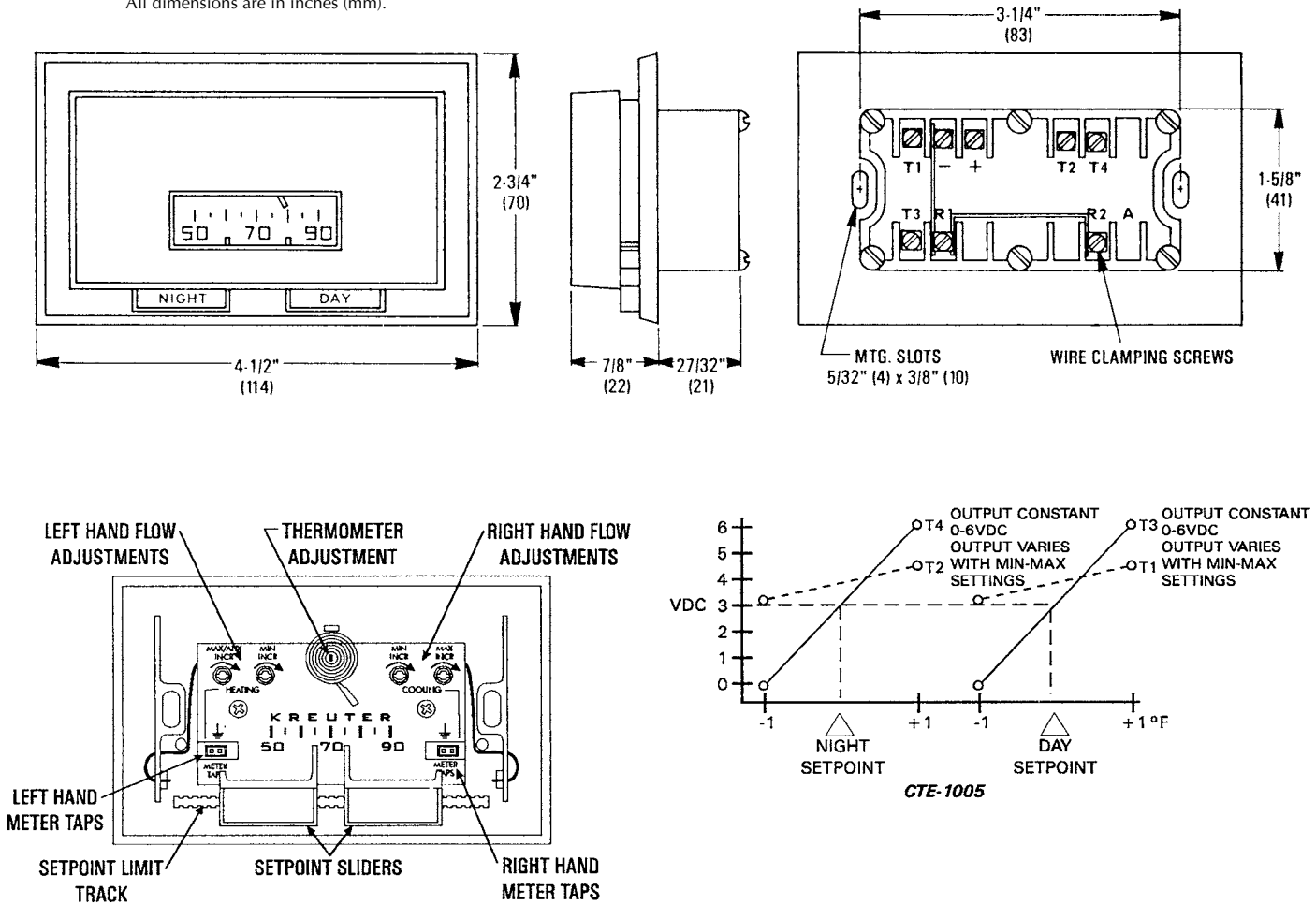
CTE-1005-10      °F, horizontal, DA, night/day

### Accessories

HFO-0027	Setpoint stops
HMO-5001	Toggle bolt assembly
HMO-5002	Insulating backplate, 1-1/8" deep
HMO-5007	Insulating backplate, 1-11/16" deep
HSO-5001	Calibration test leads
REE-4xxx	Relay modules
XEE-4002	9.1 VDC power supply module

## Details

All dimensions are in inches (mm).



## Specifications

Supply Voltage	9.1 VDC (5 mA) $\pm 5\%$
Output Range	0 to 6 VDC
Range	55° to 85° F (13° to 29° C)
Proportional Band	2° F (1.1° C)
Thermostat Action	Direct Acting
Cover Type	Furnished with window
Material	Light almond flame-retardant plastic
Weight	3.5 oz. (99 grams)
Approvals	SASO PCP Registration KSA R-103263
Temperature Limits	
Operating	40° to 120° F (4° to 49° C)
Shipping	-40° to 140° F (-40° to 60° C)

### KMC Controls, Inc.

19476 Industrial Drive, New Paris, IN 46553

574.831.5250

[www.kmcccontrols.com](http://www.kmcccontrols.com)

[info@kmcccontrols.com](mailto:info@kmcccontrols.com)