

### Description and Application

The KMC CTE-1105 electronic thermostats are designed for use with specific CEE/CEP/CSE/CSP-4000 series controller-actuators to control damper actuators and/or valves in HVAC systems. The ability to adjust minimum and maximum limits is at the thermostat rather than at the controller. They are dual setpoint thermostats for night/day reset applications.

Additional outputs are provided for control of optional KMC REE-4000 series relay modules. The 0–6 VDC output (T3/T4) are not restricted by the minimum and maximum control points.

Cover construction allows for the setpoint indicator and thermometer to be either visible or concealed. Optional accessories include an insert for concealing the window and stops to lock/restrict the setpoint adjustments.

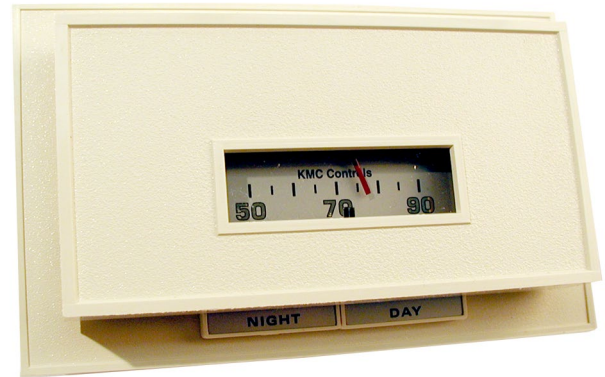
A temperature output (A) allows temperature averaging with remote temperature transmitters, such as the TTE-1001.

CTE-1105 room thermostats are intended for use with the following KMC controller/actuators:

- CEE-4000 Series
- CEP-4000 Series
- CSE-4000 Series
- CSP-4000 Series

An optional XEE-4002 9.1 VDC power supply module can power the thermostat. Then the thermostat can be used (without the controller-actuator) to control a damper or valve operated by an MEP series actuator or to control other devices via optional REE-4000 series relays.

**NOTE:** For many applications, the CTE-1105 and the discontinued CTE-1108 can be replaced by a CTE-5202 electronic thermostat with an LCD display. For details, see the [CTE-5202 Data Sheet](#) and the [CTE-5202 Applications Guide](#).



### Features

- ◆ Dual setpoint for day/night reset applications
- ◆ Adjustable min/max temperature limits
- ◆ Additional output available for control of KMC REE series relay modules
- ◆ Visible or hidden setpoint indicator
- ◆ Day/night flow adjustments

### Models

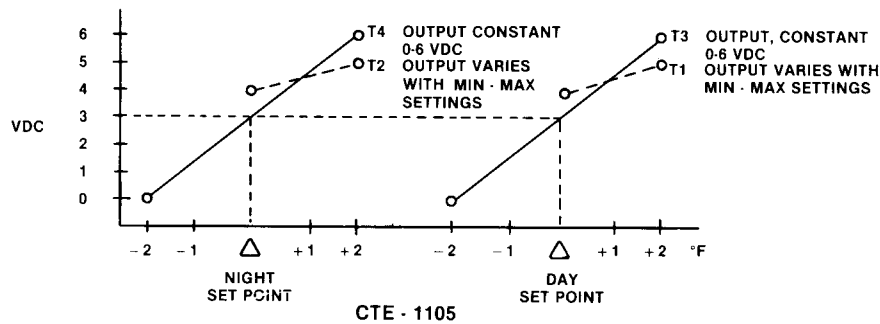
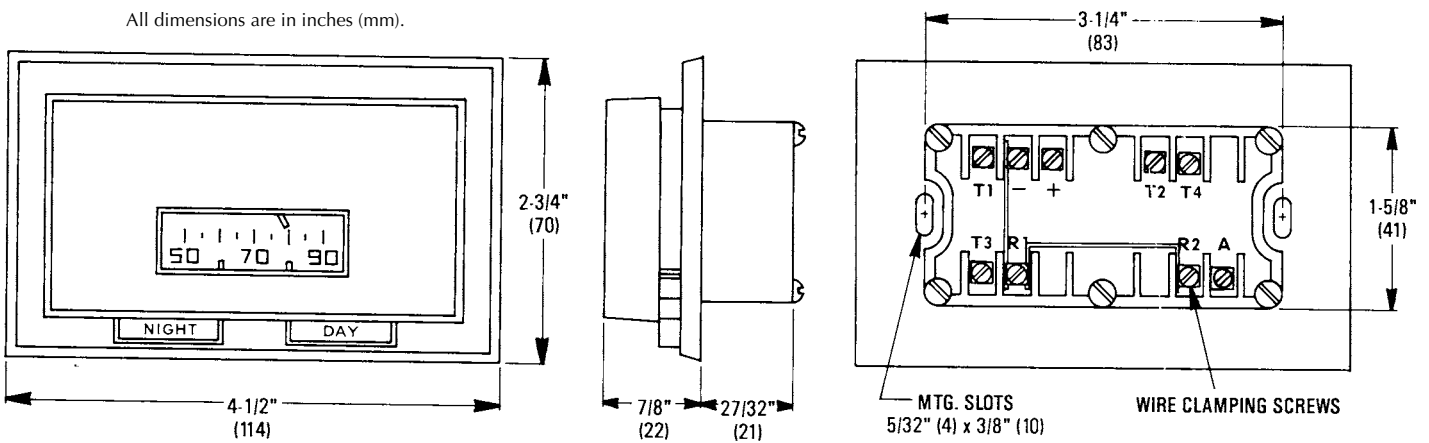
CTE-1105-10      ° F, horizontal, night/day

### Accessories

HFO-0027	Setpoint stops
HMO-5001	Toggle bolt assembly
HMO-5002	Insulating backplate, 1-1/8" deep
HMO-5007	Insulating backplate, 1-11/16" deep
HSO-5001	Calibration test leads
REE-4000 series	Relay modules
TTE-1001	Remote room temperature transmitter
XEE-4002	9.1 VDC power supply module

## Details

All dimensions are in inches (mm).



## Specifications

<b>Supply Voltage</b>	9.1 VDC (5 mA) $\pm 5\%$
<b>Output Range</b>	0 to 6 VDC
<b>Range</b>	55° to 85° F (13° to 29° C)
<b>Proportional Band</b>	
T1/T2	2° F (1.1° C)
T3/T4	4° F (2.2° C)
<b>Thermostat Action</b>	Direct Acting
<b>Cover Type</b>	Furnished, with window
<b>Material</b>	Light almond flame-retardant plastic
<b>Weight</b>	3.5 oz. (99 grams)
<b>Approvals</b>	SASO PCP Registration KSA R-103263
<b>Temperature Limits</b>	
Operating	40° to 120° F (4° to 49° C)
Shipping	-40° to 140° F (-40° to 60° C)

### KMC Controls, Inc.

19476 Industrial Drive, New Paris, IN 46553

574.831.5250

[www.kmcccontrols.com](http://www.kmcccontrols.com)

[info@kmcccontrols.com](mailto:info@kmcccontrols.com)