

### Description

The HCO-1034/1035/1036 control enclosures provide a convenient method of surface mounting and protecting pneumatic, electrical, and digital devices. The cabinet is easily mounted on the wall, while the subpanel with the control devices may be added later.

Cabinet doors can be configured to open to the right or left. If more than one enclosure is necessary, they are easily mounted next to each other and/or joined by removing the required knockouts, located on all four sides. Fastened with appropriate fittings and lock nuts, these enclosures provide a neat, flexible installation.

### Models

HCO-1034	(14 gauge) 16" W x 18" H x 6" D (406.4 x 457.2 x 152.4 mm)
HCO-1035	(16 gauge) 20" W x 24" H x 6" D (508 x 609.6 x 152.4 mm)
HCO-1036	(16 gauge) 24" W x 36" H x 6" D (609.6 x 914.4 x 152.4 mm)

### Features

- 14 or 16 gauge steel construction
- Perforated steel subpanel
- Knockouts on all sides
- Easy mounting
- Key operated locking door
- Regulatory listings (see Specifications section)

### Accessories

HCO-1020A	Replacement lock and keys (mounts with large hex nut)
HPO-1315	KMC label, 4 x 8 inches (10 per package)



Still ... Made in the U.S.A.

### Specifications

#### Materials

Cabinet 14 gauge (HCO-1034) or 16 gauge (HCO-1035/1036) steel

Subpanel Perforated 18 gauge steel, 1/8" (3 mm) holes on 1" (51 mm) centers

#### Finish

Textured, dark blue PMS 288

#### Door

Welded hinges, key operated latch, tamper resistant outputs

#### Knockouts

Provided on all four sides (see the Details section for specific locations)

#### Mounting

Keyhole/surface

#### Weight

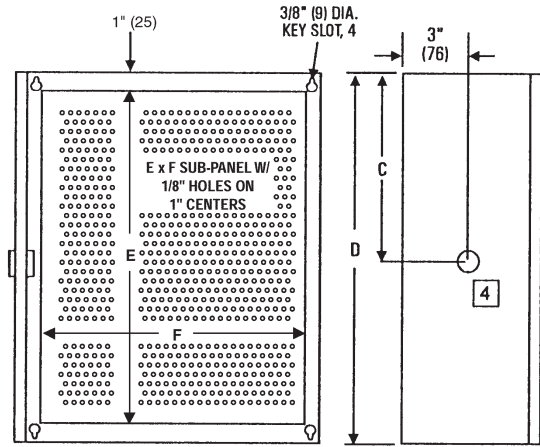
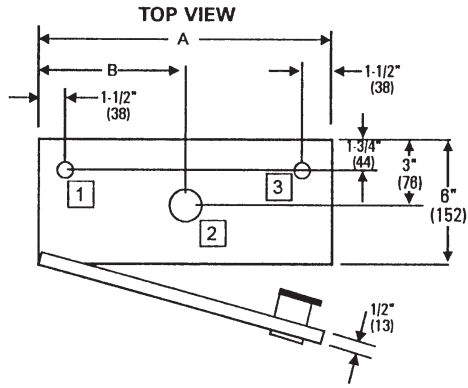
HCO-1034 23 lbs. (10 kg)

HCO-1035 36 lbs. (16 kg)

HCO-1036 75 lbs. (34 kg)

#### Regulatory

cULus Listed Type 1, CSA Type 1, NEMA Type 1, IEC 60529 IP 30



- 1 3/4" (19) KO, 1/2" (13) ON BOTTOM
- 2 1" (25) KO, TOP & BOTTOM
- 3 1/2" KO, 3/4" ON BOTTOM
- 4 3/4" KO BOTH SIDES

All dimensions are in inches (mm).

	A	B	C	D	E	F
HCO-1034	16 (406)	8 (203)	9 (228)	18 (457)	16 (406)	14 (356)
HCO-1035	20 (508)	10 (254)	12 (306)	24 (609)	22 (559)	18 (457)
HCO-1036	24 (609)	12 (609)	18 (457)	36 (914)	34 (863)	22 (559)

**KMC Controls, Inc.**

19476 Industrial Drive, New Paris, IN 46553

574.831.5250

[www.kmcccontrols.com](http://www.kmcccontrols.com)

[info@kmcccontrols.com](mailto:info@kmcccontrols.com)