

### Description

This economical two-part steel enclosure can contain a variety of control or other devices.

### Features

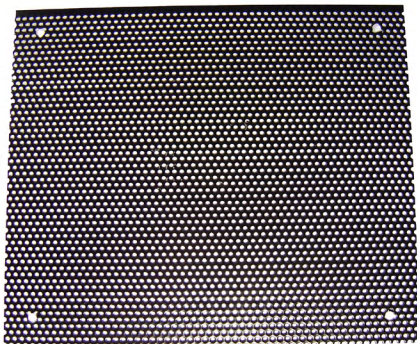
- ◆ Made of 18-gauge (base) and 22-gauge (cover) steel with black electrocoated finish
- ◆ Cover snaps onto base and is secured by two screws
- ◆ 10.1 x 2.4 x 7.1 inches (257 x 62 x 181 mm)
- ◆ Screw bosses provided for mounting one of any of the KMD-5801/5802 controllers, KMD-7300/7400 series controllers, BAC-5801/5802 controllers, BAC-7300/7400 series controllers, or KMD-5540 series CommTalk protocol interfaces\*
- ◆ Optional HMO-1102 perforated sub-panel mounts on screw bosses and allows devices with different mounting holes to be installed in the enclosure (using #6 sheet metal screws extending no more than 1/4-inch below the sub-panel)

\*NOTE: For Conquest BAC-5900 and BAC-9300 series controllers, see the **HCO-1103** with integrated DIN rail for more convenient mounting.

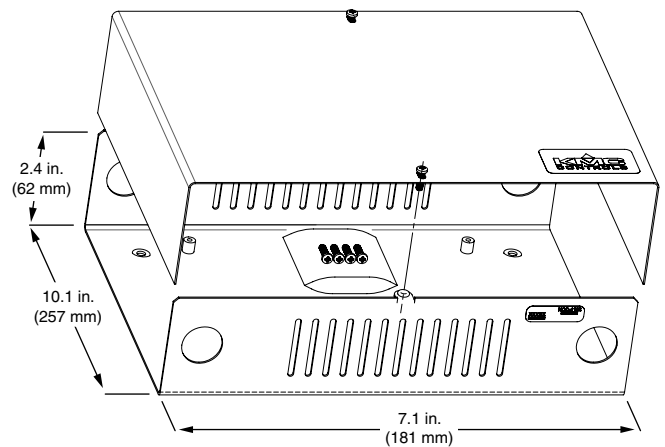
### Accessories

#### HMO-1102

5-7/8 x 7 inches (149 x 178 mm) perforated sub-panel, 18-gauge steel, black electrocoated finish



(Shown with a KMD-7401 controller mounted inside)



**KMC Controls, Inc.**

19476 Industrial Drive

New Paris, IN 46553

574.831.5250

[www.kmcccontrols.com](http://www.kmcccontrols.com); [info@kmcccontrols.com](mailto:info@kmcccontrols.com)