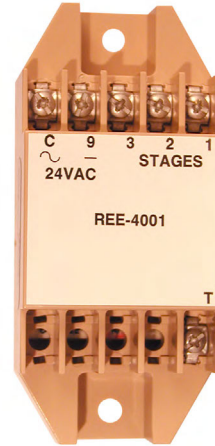


Description

KMC REE-4001 relay modules are designed primarily for use with VAV terminal units in HVAC systems. When used with CTE series room thermostats, up to three stages of reheat may be controlled. They may also be controlled by a 0 to 10 VDC output from a DDC or analog controller.

Each triac output circuit is capable of handling contactors of up to 10 VA @ 24 VAC. The three circuits are calibrated to actuate at equally spaced intervals across the thermostat's proportional band.

By using the REE-4001, the heating requirements of a particular VAV terminal may be actuated in three separate steps affording more precise temperature control.



Application

KMC REE-4001 Relay Modules are primarily intended for use with the following thermostat models:

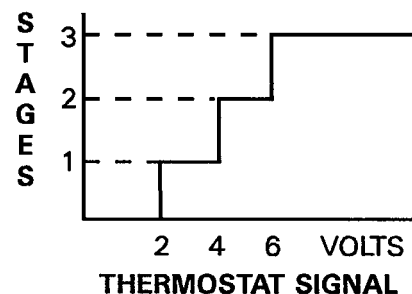
- ◆ CEE-1103
- ◆ CTE-1004
- ◆ CTE-1103
- ◆ CTE-5002/5012
- ◆ CTE-5202

Features

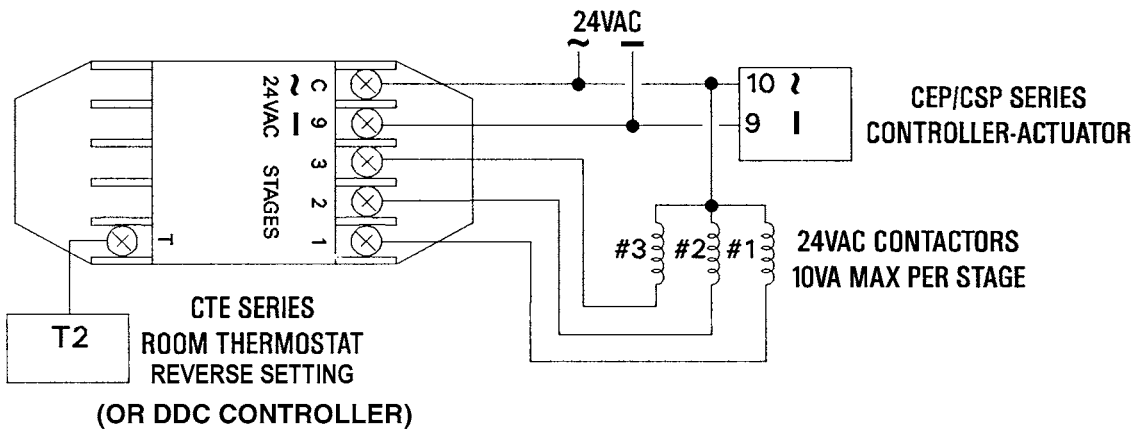
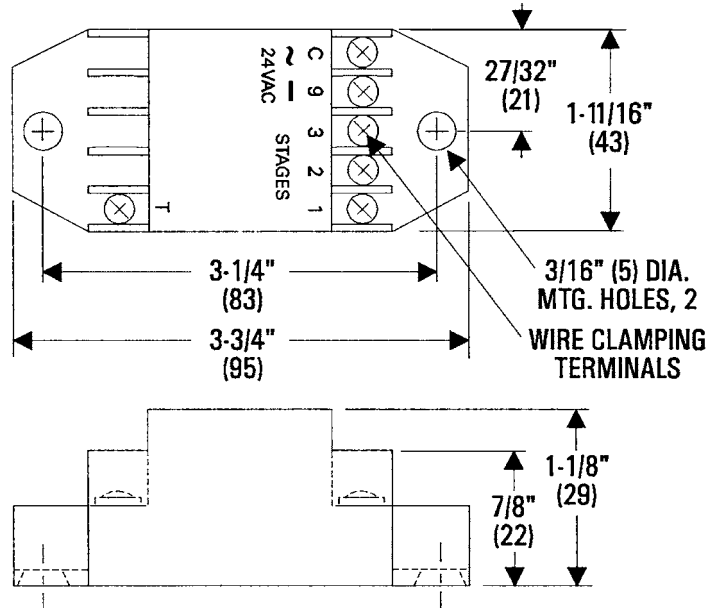
- ◆ Controls up to three stages of reheat
- ◆ Control is activated at equally spaced intervals across a thermostat's proportional band
- ◆ Simple installation

Specifications

Supply Voltage	24 VAC, +20%/-15% @ 1 VA plus output loads
Input Signal	0 to 6 VDC
Switching Differential	0.33 VDC (each stage)
Output Capacity	10 VA per stage @ 24 VAC
Connections	Plated screw terminals
Wire Size	14 to 22 AWG, stranded
Material	Beige flame-resistant plastic
Weight	2 oz. (57 grams)
Temperature Limits	
Operating	40 to 120° F (4 to 49° C)
Shipping	-40 to 140° F (-40 to 60° C)



All dimensions are in inches (mm)



NOTE: Triac stages 1 through 3 are for 24 VAC loads only. This "C" terminal does NOT denote Common/Neutral. "C" is the phase side of the 24 VAC (and the phase side is where the three contactors are connected in "common"). "9" is the neutral side.

NOTE: "T" input is 0 to 6 VDC. See the chart on the previous page.

NOTE: For information about using the REE-4001 with a CEP-4000 series controller-actuator and CTE-1004 thermostat, see the [CEP-4000 Series Applications Guide](#). For use with a CTE-5202 thermostat, see the [CTE-5202 Applications Guide](#).

KMC Controls, Inc.

19476 Industrial Drive

New Paris, IN 46553

574.831.5250

www.kmcccontrols.com

info@kmcccontrols.com