

### Description

These triac relay modules are designed primarily for use with VAV terminal units in HVAC systems. When used in conjunction with reverse acting outputs of the CTE-5202 or CTE-5100 series room thermostats, up to three stages of reheat may be controlled.

The REE-5001 is most typically used with CTE-5104 thermostats, but it can also be used with the RA outputs of the CTE-5202, CTE-5102, and CTE-5103.

The REE-5501 (with isolated outputs) is most typically used with BAC-5841-16 and BAC-5842-16 VAV Advanced Application Controllers to control a fan and two stages of heating or cooling (see the documents for those controllers for more information).

Each output circuit is capable of handling contactors of up to 10 VA @ 24 VAC. The three circuits are calibrated to actuate at equally spaced intervals across the thermostat's proportional band.

By using the REE-5001/5501, heating or cooling requirements may be actuated in three separate steps, providing precise temperature control.

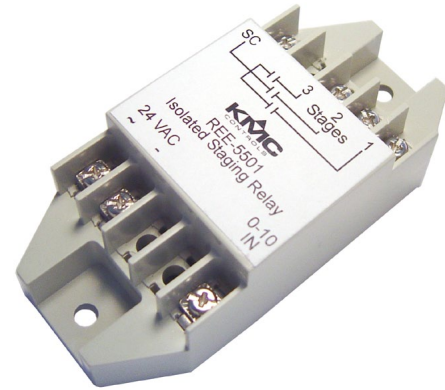
### Features

- ◆ Simple installation
- ◆ Each output capable of handling contactors of up to 10 VA @ 24 VAC
- ◆ Controls up to three stages of heating or cooling
- ◆ Each stage calibrated to actuate at equally spaced intervals across the thermostat's proportional band
- ◆ Isolated outputs (REE-5501 only)

### Models

REE-5001	Triac relay module
REE-5501	Triac relay module with isolated outputs

**NOTE: Triac outputs are for 24 VAC loads only.**



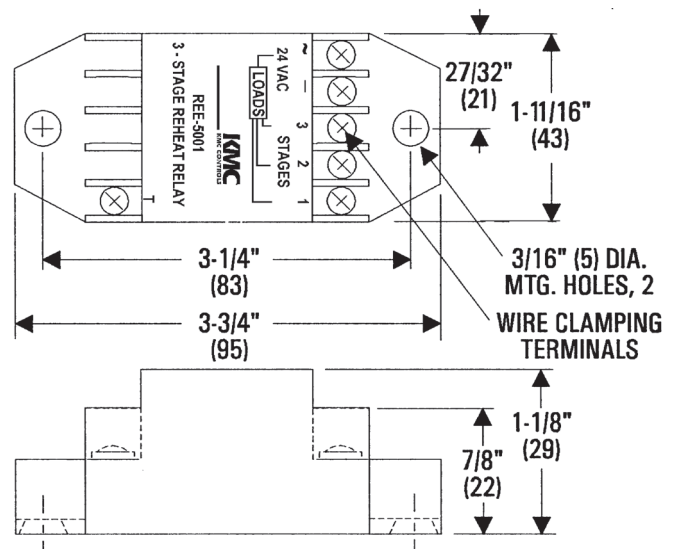
Still... Made in the U.S.A.

### Specifications

<b>Supply Voltage</b>	24 VAC (+20%/−15%) @ 1 VA plus output loads
<b>Input Signal (T)</b>	0 to 10 VDC
<b>Switching Differential</b>	2 VDC (each stage)
<b>Output Capacity</b>	10 VA per stage @ 24 VAC
<b>Connections</b>	Plated screw terminals
<b>Wire Size</b>	14–22 AWG, stranded
<b>Material</b>	Beige flame-retardant plastic
<b>Weight</b>	2 oz. (57 grams)
<b>Approvals</b>	SASO PCP Registration KSA R-103263

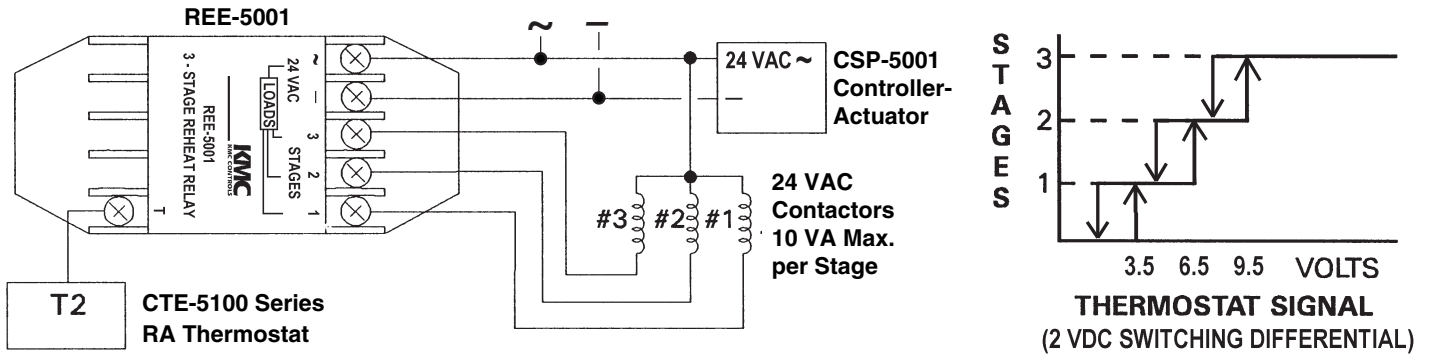
### Temperature Limits

Operating	40 to 120° F (4 to 49° C)
Shipping	−40 to 140° F (−40 to 60° C)

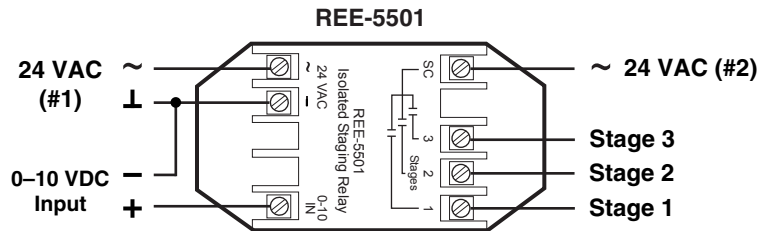


All dimensions are in inches (mm)

## Sample Applications



**NOTE:** For information about using the REE-5001 with a CSP-5001 controller-actuator and CTE-5103 thermostat, see the [CSP-5001/5002 Applications Guide](#). For use with a CTE-5202 thermostat, see the [CTE-5202 Applications Guide](#).



**NOTE:** REE-5501 triac outputs are isolated from its 24 VAC power. For additional information, see the installation guide for the BAC-5841-16 and BAC-5842-16 (requires a log-in on the [KMC Partner site](#)).

**KMC Controls, Inc.**

19476 Industrial Drive, New Paris, IN 46553

574.831.5250

[www.kmcccontrols.com](http://www.kmcccontrols.com)

[info@kmcccontrols.com](mailto:info@kmcccontrols.com)