



# STE-9010W10

## Room Temperature Sensor

### DESCRIPTION

The STE-9010W10 provides temperature-only sensing in an STE-9000 series NetSensor® footprint.

This compact, economical and durable room temperature sensor is designed for use with KMC digital controllers such as the BAC-5900/9000/9300 series in applications such as RTUs, HPUs, FCUs, AHUs, VAVs, and unit ventilators. It incorporates a 10,000 ohm (@ 77° F) thermistor for precise, stable temperature sensing

The sensor may be mounted to any flat surface or to a 2 x 4 inch or 4 x 4 inch electrical box.\*

### CONNECTIONS

The sensor has an RJ-45 modular jack for quick connections.

For connecting to a KMC Conquest BAC-59xx or BAC-9xxx controller, use a standard Ethernet patch cable, such as an HSO-9001 (50 ft., plenum-rated), or HSO-9012 (75 ft., plenum-rated) cable.

### SPECIFICATIONS

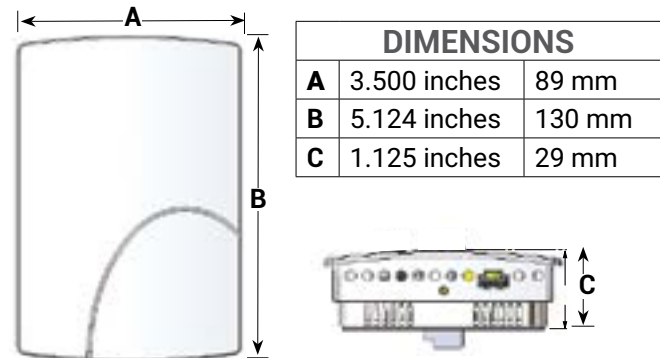
Temperature Sensor	
Sensor type	Thermistor, 10K Type II
Accuracy	±0.36° F (±0.2° C)
Resistance	10,000 ohms at 77° F (25° C)
Operating range	48 to 96° F (8.8 to 35.5° C)

Enclosure and Mounting	
Weight	3.5 ounces (99.2 grams)
Case material	White, flame-retardant plastic
Mounting	Surface mount directly to any flat surface or to a 2 x 4 inch or 4 x 4 inch electrical box. *Mounting on a 4 x 4 box or horizontal 2 x 4 box requires an HMO-10000/10000W mounting backplate.



A four-pin EIA-485 data port on the cover's underside provides an easy, temporary computer connection to BACnet networks using a BAC-5051E router and HPO-5551 router technician's cable.

Connections	
Connector type	Eight-wire RJ-45 modular jack
Cable type	Standard T568B (Category 5 or better) Ethernet patch cable up to 150 feet (45 meters)
Power	Supplied by connected controller



### SUPPORT

Additional resources for installation, application, operation, and much more are available on the web at [www.kmccontrols.com](http://www.kmccontrols.com). Log-in to see all available files.