

These are brief instructions for installing a SimplyVAV controller. To download a PDF file of *The Simply VAV Installation and Applications Guide*, browse to the KMC Controls web site, www.kmccontrols.com.



kmccontrols.com

1 Align the damper and drive hub

Manually rotate the damper on the VAV box to the fully open position.

Press the gear clutch button and rotate the drive hub in the same direction that opened the damper. Turn the hub until it reaches a stop.

2 Mount the controller to the VAV box.

Place the controller over the damper shaft. Center the mounting bushing in the mounting tab and fasten it with a #8 sheet metal screw.

Tighten the V-bolt nuts on the drive hub to 30-35 in-lbs.

3 Connect the room sensor cable

Connect a SimplyVAV sensor to the controller with a standard Ethernet cable. Plug the controller end of the cable into the T-STAT/SENSOR connector.

4 Connect the airflow sensors

Connect the airflow sensor on the VAV box to the airflow ports on the controller. Use 0.25 in. flame retardant tubing.

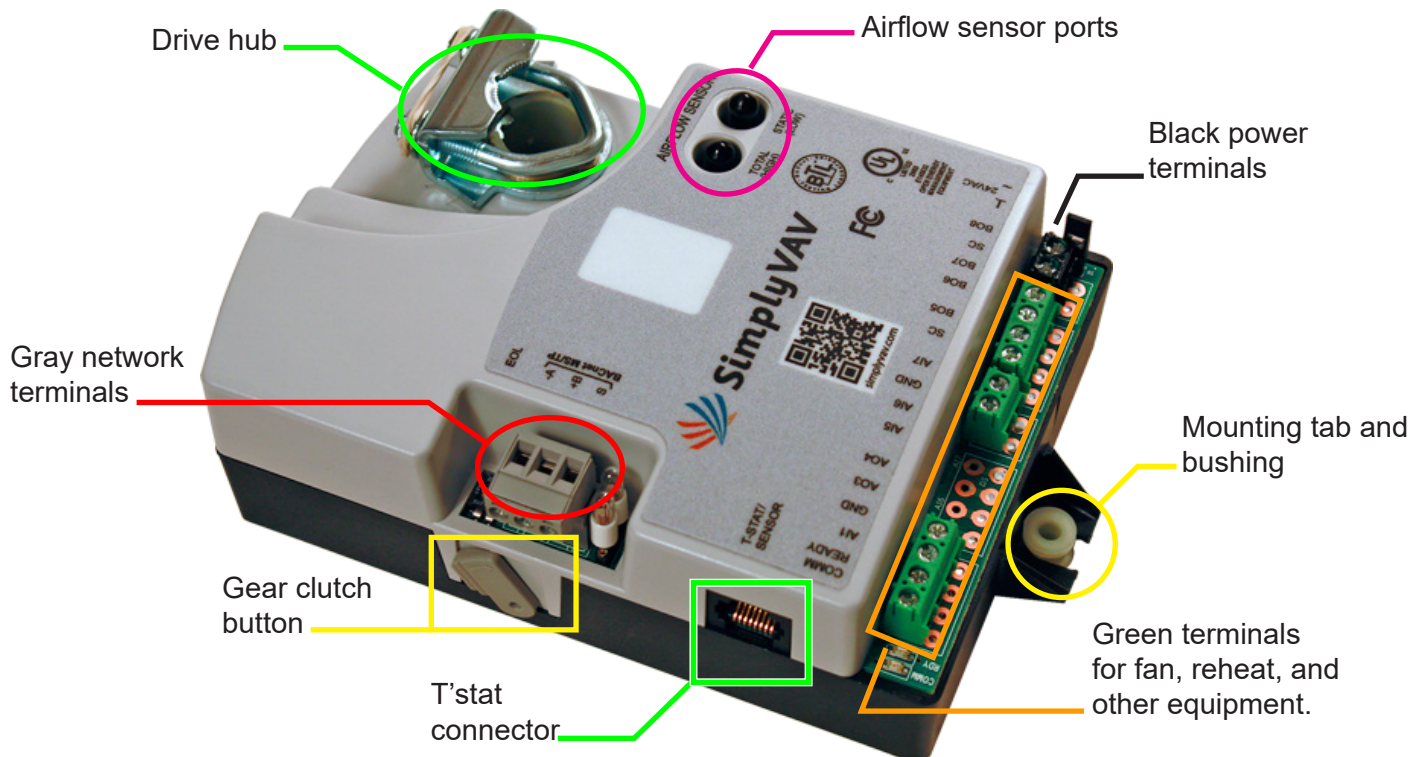
5 Connect auxiliary equipment (optional)

Other VAV equipment such as fans, heaters, reheat valves, and discharge air temperature sensors connect at the green terminals.

If the controller is part of a BACnet network, wire it to the gray MS/TP network terminals.

6 Connect 24 volt power

Connect the controller to a 24 volt, Class 2 transformer at the black power terminals. As soon as power is connected, the controller begins operation.



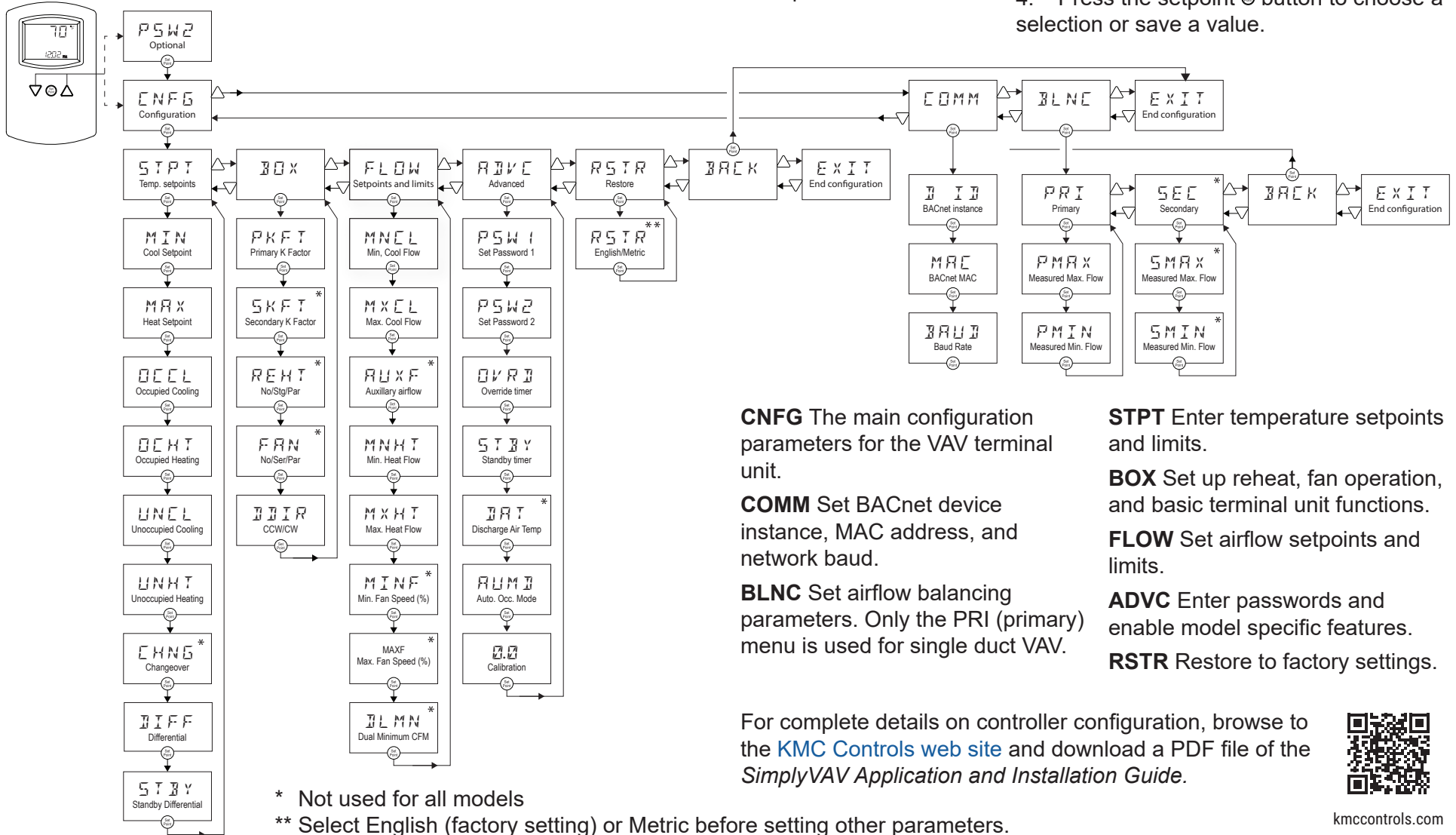
Use an STE-8001 or STE-8201 sensor to configure the SimplyVAV controller. If another type of sensor is installed as the room sensor, temporarily connect an STE-8001 as a service tool.

To get started:

1. Press the up Δ and down ∇ buttons simultaneously to start configuration or balancing.
2. Enter Password 2 if required. New

installations do not have a password.

3. Press the up Δ and down ∇ buttons to move between functions or change values.
4. Press the setpoint \odot button to choose a selection or save a value.



CNFG The main configuration parameters for the VAV terminal unit.

COMM Set BACnet device instance, MAC address, and network baud.

BLNC Set airflow balancing parameters. Only the PRI (primary) menu is used for single duct VAV.

STPT Enter temperature setpoints and limits.

BOX Set up reheat, fan operation, and basic terminal unit functions.

FLOW Set airflow setpoints and limits.

ADV Enter passwords and enable model specific features.

RSTR Restore to factory settings.

For complete details on controller configuration, browse to the [KMC Controls web site](http://www.kmccontrols.com) and download a PDF file of the *SimplyVAV Application and Installation Guide*.

