

Installation Guide

Mounting

The CCE-3000 Series relays are **not** position sensitive and may be mounted in any orientation.

Model CCE-3001

1. Surface mount using the two 3/16" diameter holes.
2. Bulkhead mount using the 9/16-18 boss and nut.

Model CCE-3002/3003

1. Surface mount using the two 3/16" diameter holes.
2. Bulkhead mount using two #6 self-threading screws.

⚠ CAUTION

Pneumatic devices must be supplied with clean, dry control air. Any other medium (e.g., oil or moisture contamination) will cause the device to fail.

Connections and Wiring

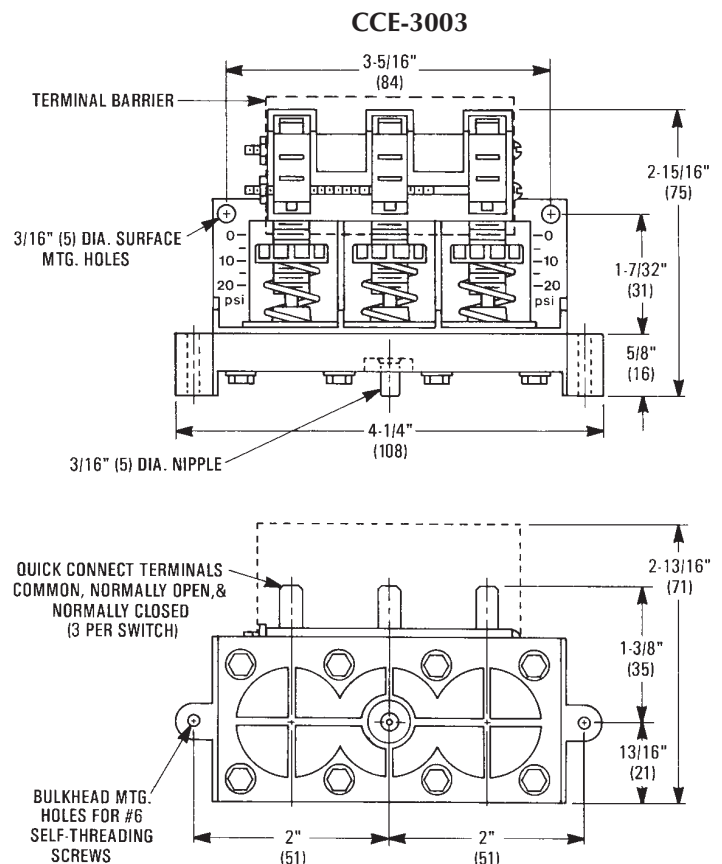
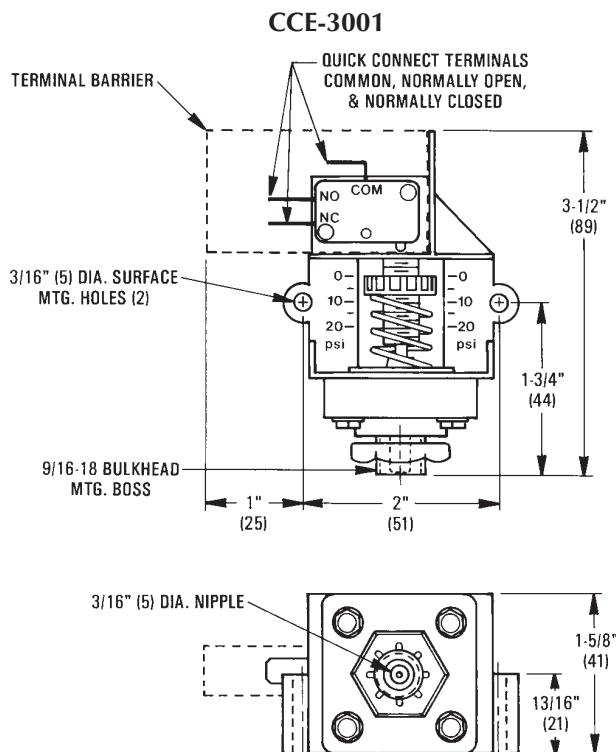
Electrical

Connections are made to 1/4" quick connect terminals. Do not exceed the electrical ratings of the switches (see [Specifications on page 2](#)).

1. Connect to the Common "C" and Normally Open "NO" terminals if a fall in signal should break the circuit.
2. Connect to the Common "C" and Normally Closed "NC" terminal if a fall in signal should make a circuit.

Air Supply

1. Using 1/4" (6 mm) OD polyethylene tubing, connect the signal to the 3/16" (5 mm) inlet in the bottom of the unit.
2. Limit the signal to 30 psig (207 kPa) max.



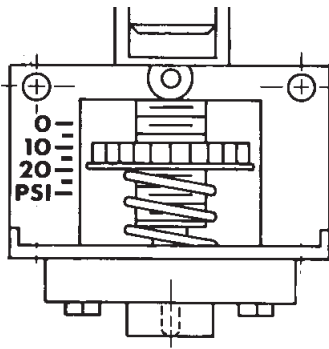
Adjustments and Calibration

1. Choose a setpoint between 2 and 20 psi (14 and 138 kPa).

NOTE: The differential on these models is 1 psi minimum and 2 psi maximum (7 and 14 kPa).

2. Turn the setpoint adjustment wheel until the **bottom** of the wheel lines up with the signal pressure listed beside the spring.
3. Repeat for each switch.

NOTE: A gauge may be installed before completing Step 2 to calibrate the relay to a particular signal pressure.



Accessories

ICI-1005 Pressure gauge

Maintenance

No routine maintenance is required. Careful installation will help ensure dependable, long-term reliability and performance.

Specifications

Setpoint Range	2 to 20 psi (14 to 138 kPa)
Differential	Fixed differential, 1 to 2 psi nominal (7 to 14 kPa)
Pressure Max.	30 psi (207 kPa)
Connections	
Air	3/16" (5 mm) nipples for 1/4" (6 mm) O.D. polyethylene tubing
Electrical	1/4" quick-connect terminals
Switching Action	SPDT each stage
Electrical Ratings	25 amps each switch (non-inductive) @ 120/240/277 VAC, 1 HP @ 125 VAC, 2 HP @ 250 VAC, 750 VA pilot duty

Weight

CCE-3001	2 oz. (57 grams)
CCE-3002	4.5 oz. (128 grams)
CCE-3003	5 oz. (142 grams)

Material

Housing	Black polycarbonate
Diaphragm	Silicone

Temperature Limits

Operating	40 to 150° F (4 to 60° C)
Shipping	-40 to 150° F (-40 to 60° C)

Approvals

UL recognized
Patent Number 4,855,545 (CEE-3002/3003)

Important Notices

The material in this document is for information purposes only. **The contents and the product it describes are subject to change without notice.** KMC Controls, Inc. makes no representations or warranties with respect to this document. In no event shall KMC Controls, Inc. be liable for any damages, direct or incidental, arising out of or related to the use of this document.

KMC Controls, Inc.
19476 Industrial Drive
New Paris, IN 46553
574.831.5250
www.kmcccontrols.com
info@kmcccontrols.com