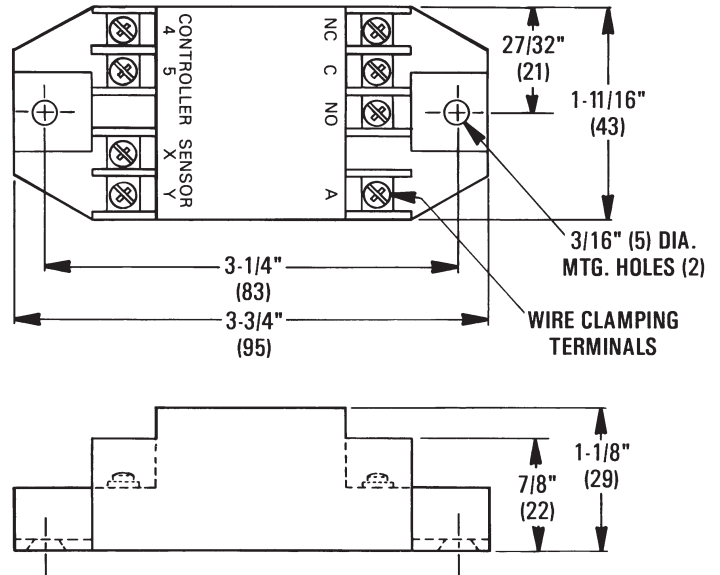
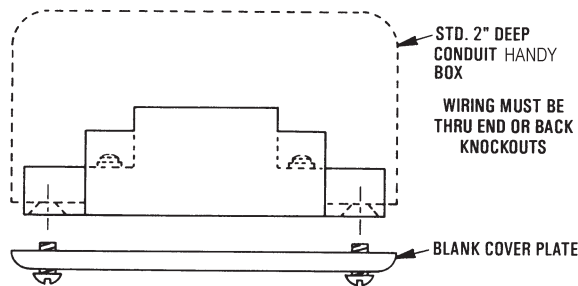


Installation Guide

Mounting

The REE-1005 can be mounted directly to a control box surface or in a 2 x 4" electrical handy box. To conceal the module, add a blank cover.



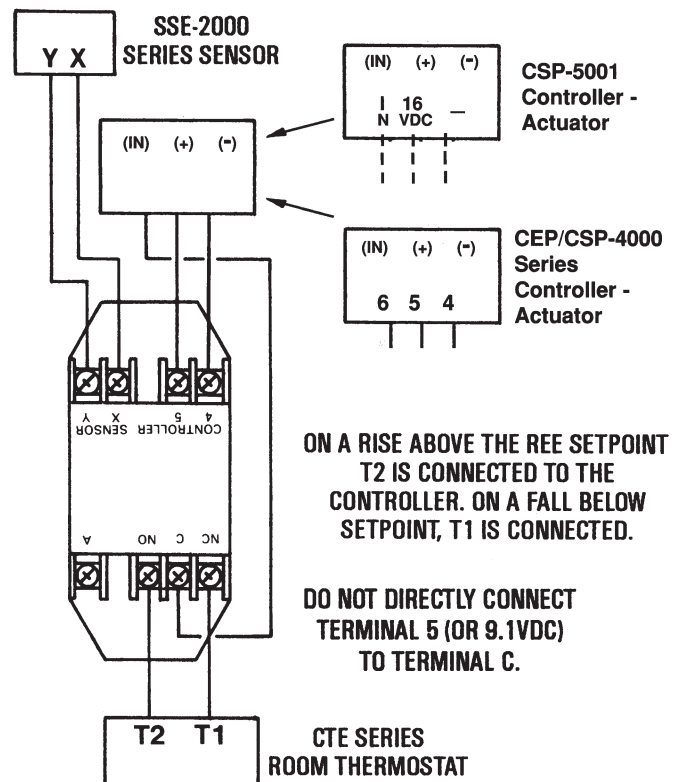
Connections and Wiring

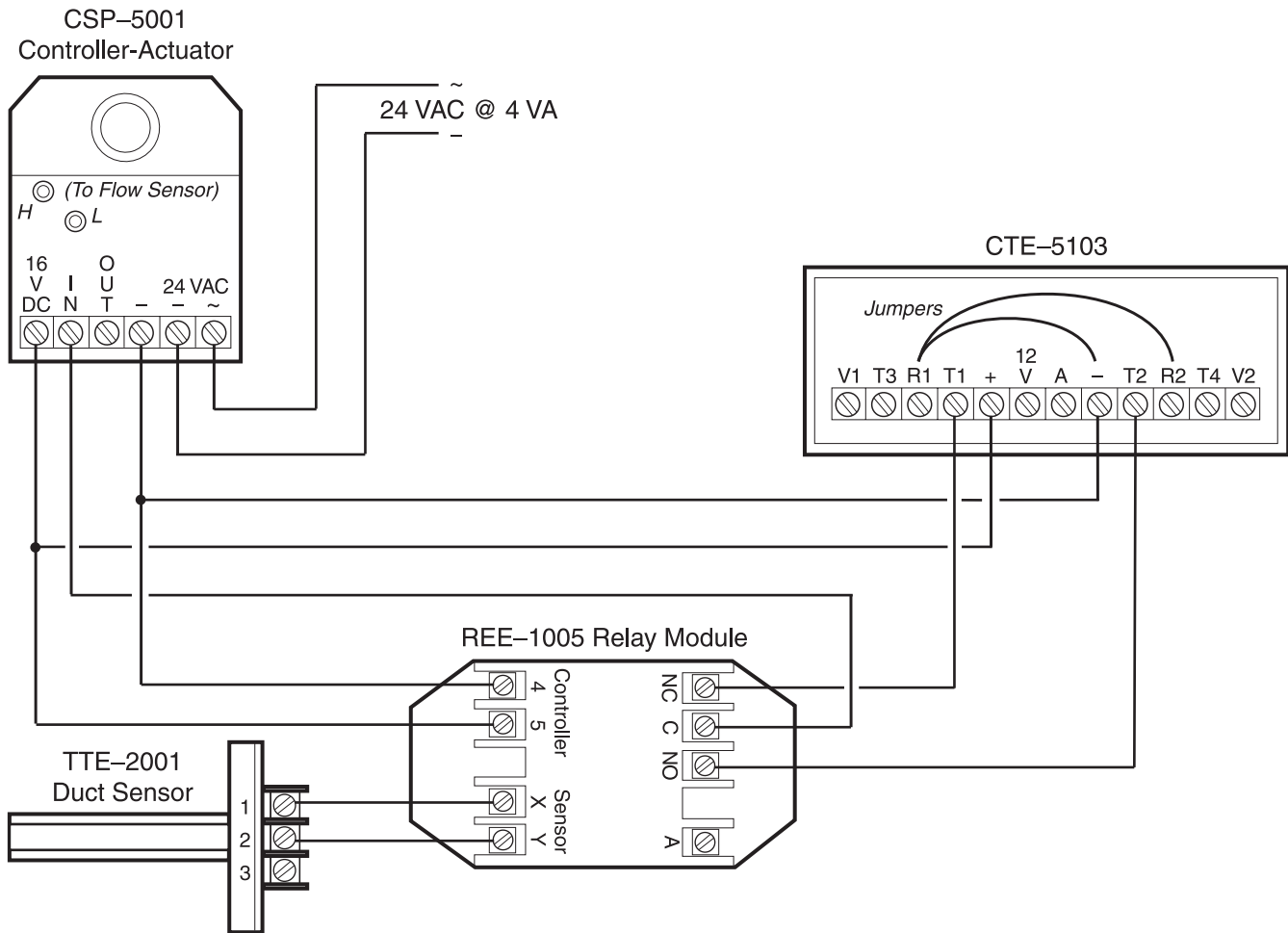
Wire as shown in the examples for single duct heating/cooling changeover using one box to supply hot or cold air to the space.

The factory **setpoint** is 77° F (25° C).

Terminal A is an optional **auxiliary flow** limit trigger signal (usually connected to Terminal A on a CTE-1004, CTE-5104, or REE-1012). When the relay module senses heating mode, terminal A goes high (around 6.8 VDC with a 9.1 VDC supply or 13.8 VDC with a 16 VDC supply). This terminal can also be used to daisy chain more than one REE-1005 together by wiring Terminal "A" to Terminal "Y" on the next relay.

NOTE: See the [CEP-4000 Series Applications Guide](#) and the [CSP-5001/5002 Applications Guide](#) for additional information on applications.





Maintenance

No routine maintenance is required, however protection from extremes of humidity and dirt is recommended. Careful installation will also ensure long term reliability and performance.

Important Notices

The material in this document is for information purposes only. **The contents and the product it describes are subject to change without notice.** KMC Controls, Inc. makes no representations or warranties with respect to this document. In no event shall KMC Controls, Inc. be liable for any damages, direct or incidental, arising out of or related to the use of this document.

KMC Controls, Inc.
 19476 Industrial Drive
 New Paris, IN 46553
 574.831.5250
www.kmccontrols.com
info@kmccontrols.com