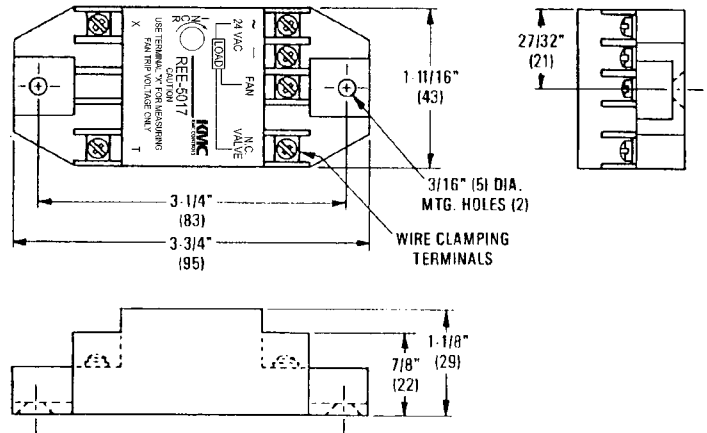
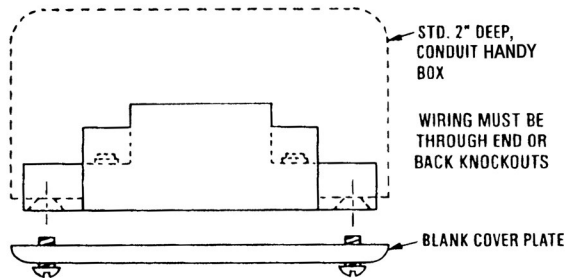


Installation Guide

Mounting

The module may be mounted directly to a control box surface or in a 2 x 4" electrical handy box. Add a blank cover to conceal the module if desired.

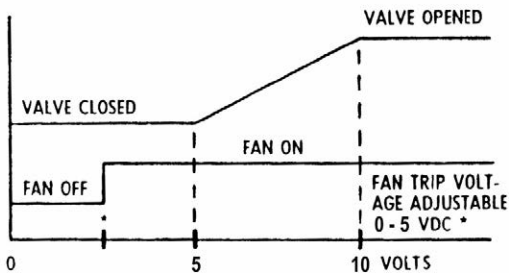


All dimension are in inches (mm)

Connections and Wiring

Wire as shown for providing proportional reheat to an electric hot water valve with an MEP-3001 actuator. Supply the relay with 24 VAC (+20%/-15%) from a Class 2 transformer. (Use wire size of 14 to 22 AWG, stranded.)

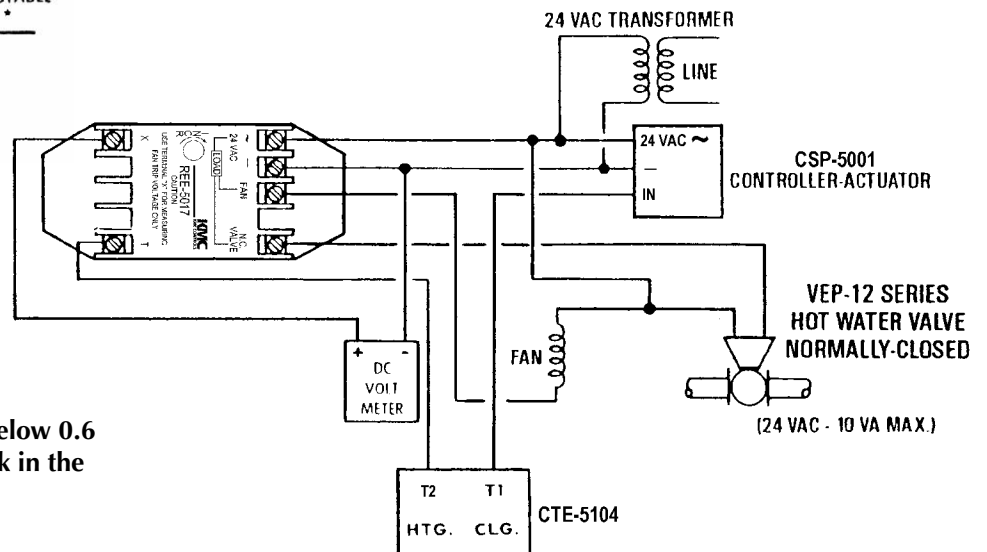
The fan starting point is adjustable so that optimum use can be made of the warm air in the return air plenum before opening the hot water valve. A DC voltmeter is shown across "X" and "9" terminals. This can be used to measure the fan setpoint for recalibration. The setpoint is factory-set at 2.5 VDC. (Do not set the fan setpoint below 0.6 VDC, or else the fan may lock in the On position.)



THERMOSTAT HEATING SIGNAL
TEMPERATURE DECREASE →

⚠ CAUTION

Do not set the fan setpoint below 0.6 VDC, or else the fan may lock in the On position.



Troubleshooting

- If the fan does not start at the desired time, check its setpoint.
- Check the wiring.
- Check the voltage from the thermostat/controller (measured from Terminal T to Terminal –/Neutral). (See the voltage chart on the previous page.)
- See also the MEP-3001, relevant valve, and relevant thermostat documentation.

Maintenance

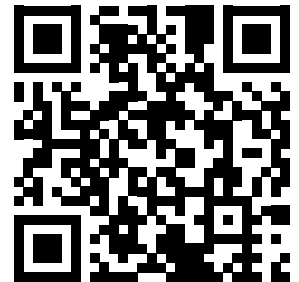
No routine maintenance is required, however protection from extremes of humidity and dirt is recommended. Careful installation will help ensure long-term reliability and performance.

Important Notices

The material in this document is for information purposes only. **The contents and the product it describes are subject to change without notice.** KMC Controls, Inc. makes no representations or warranties with respect to this document. In no event shall KMC Controls, Inc. be liable for any damages, direct or incidental, arising out of or related to the use of this document.

More Information

For specifications, see the [REE-5017 Data Sheet](#) on the KMC web site.



KMC Controls, Inc.
19476 Industrial Drive
New Paris, IN 46553
574.831.5250
www.kmccontrols.com
info@kmccontrols.com