

Installation Guide

Mounting



STE-6014



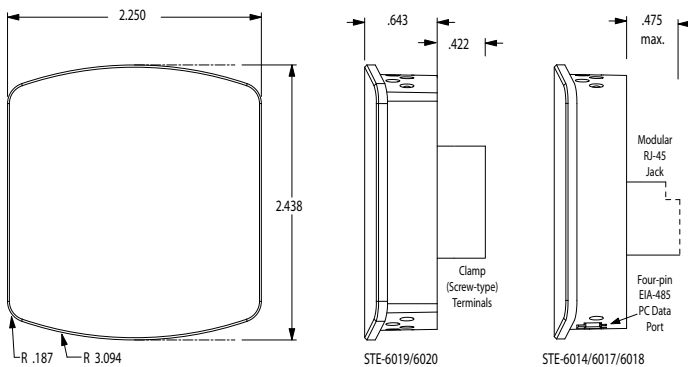
STE-6017/6019



STE-6018/6020

Model Number	Interface Features		Cable Connections		
	Override Button	LED Status Indicator	Screw Clamp Terminals	RJ-45 Connector	EIA-485 Data Port
STE-6014				X	X
STE-6017	X			X	X
STE-6019	X		X		
STE-6018	X	X		X	X
STE-6020	X	X	X		

All dimensions are in inches



Location and Cover Removal

Install the sensor on an inside wall where it can sense the average room temperature and be away from direct sunlight, heat sources, windows, air vents, and air circulation obstructions (curtains, furniture, etc.). It can be mounted on a hollow wall or (with an HMO-6036/6036W universal backplate) to a 2 x 4 inch electrical (handy) box.

The cover is held to the black base by three, small, round pegs that fit in the holes of the cover. The bottom peg is on a tab and snaps into the center bottom hole.

1. With a small Phillips screwdriver or hex wrench, **press in and hold the plastic tab button that snaps into the center hole on the bottom of the cover. Do not use excessive force and deform or break the tab.**
2. Carefully pull the cover from the black base.

Handy Box Installation (Recommended)

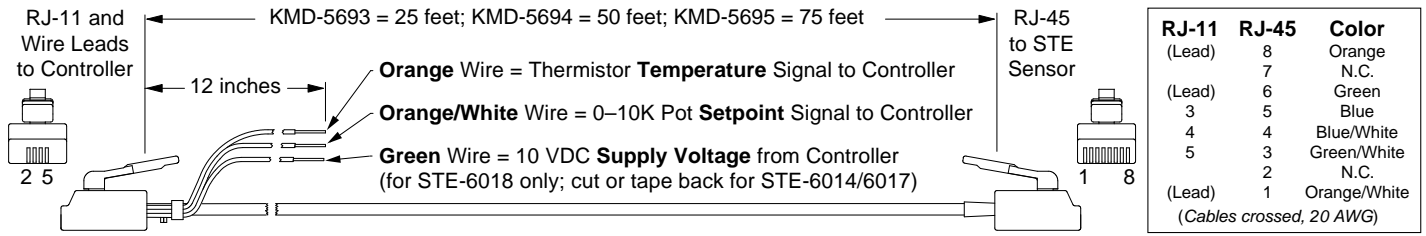
1. Mount an HMO-6036 or HMO-6036W universal backplate to the handy box using the two screws provided.
2. Remove the cover from the black base (see the Location and Cover Removal section).
3. With the plastic tab button on the bottom, attach the base to the universal backplate using the two screws provided.
4. Connect the wiring (see the Wiring section).
5. Reinstall the cover.



Hollow Wall Installation

1. Remove the cover from the black base (see the Location and Cover Removal section).
2. Using the base as a template, drill two holes for mounting screws (7/64 inches or 3 mm in diameter and 1.4 inches, 1-13/32 inches, or 35.6 mm apart) and cut a center hole (size needed is dependent on model) for the terminal block or jack.
3. Attach the base to the wall using two #6 self-threading screws. (Plastic anchors are recommended, and the size of the holes will then need adjusting.)
4. Connect the wiring (see the Wiring section).
5. Reinstall the cover.

Wiring



STE-6014/6017/6018

Connecting any of these models to a KMC controller requires a special cable with (on the sensor end) an RJ-45 connector and (on the controller end) an RJ-11 connector with an additional three wires (as relevant to the model) for controller inputs. Purchasing preassembled cables from KMC is more **cost-effective** and **reliable** than creating custom cables in the field. Use one of the following cables:

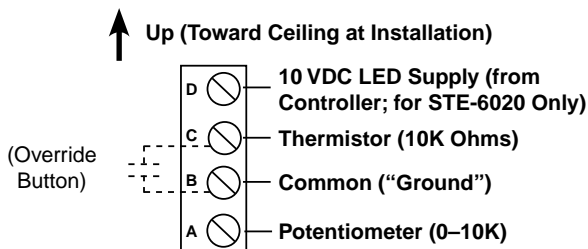
- KMD-5693 = 25 feet
- KMD-5694 = 50 feet
- KMD-5695 = 75 feet

The three additional wire connections to the controller are:

- **Orange** is the **thermistor** signal to the controller's appropriate input
- **Orange/white** is the **setpoint** signal to the controller's appropriate input
- **Green** is the **supply voltage** of 10 VDC to the STE-6018 LED from an output of the controller (for the STE-6014/6017, clip or tape the unused wire)

NOTE: Pressing the push button (not available on the STE-6014) momentarily shunts the thermistor for a SENSORON signal (via the C terminal or orange wire).

STE-6019/6020



Maintenance

Careful installation will also ensure long-term reliability and performance. Remove dust as necessary from holes in top and bottom. Clean with a soft, damp cloth and mild soap.

More Information

For general product information, see the [STE-6000 Series Room Temperature Sensors/Transmitters Data Sheet](#) on the KMC Controls web site.



For mounting considerations, network connection, controller configuration, programming, troubleshooting, and other information, see the [STE-6014/6017/6018/6019/6020 Application Guide](#).



Important Notices

The material in this document is for information purposes only. **The contents and the product it describes are subject to change without notice.** KMC Controls, Inc. makes no representations or warranties with respect to this document. In no event shall KMC Controls, Inc. be liable for any damages, direct or incidental, arising out of or related to the use of this document.

KMC Controls, Inc.

19476 Industrial Drive, New Paris, IN 46553
574.831.5250

www.kmcccontrols.com
info@kmcccontrols.com