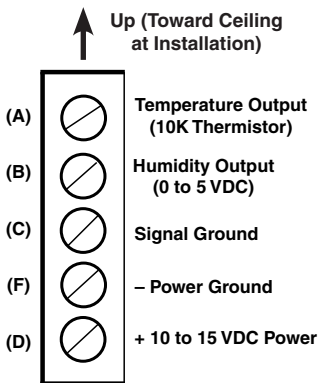
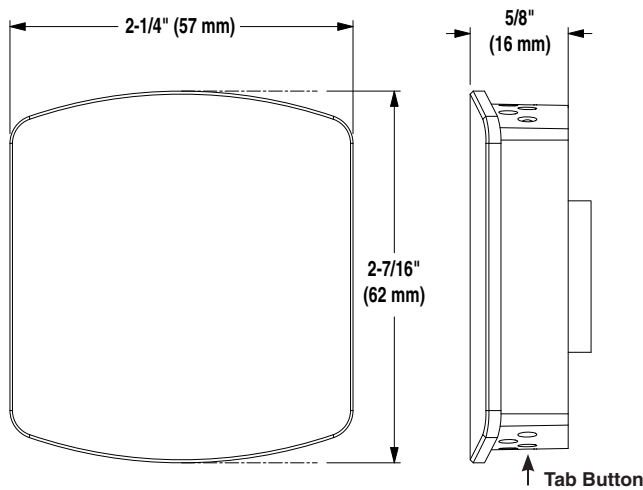


## Installation Guide

### Mounting



**NOTE: The Thermistor Temperature Output Terminal "A" should be at the top of the terminal strip after installation.**

### Location and Cover Removal

Install the THE-1102 on an inside wall where it can sense the average room temperature/humidity and be away from direct sunlight, heat sources, windows, air vents, and air circulation obstructions (curtains, furniture, etc.). It can be mounted on a hollow wall or (with an HMO-6036) to a 2 x 4 inch handy box.

The cover is held to the black base by three small pegs that fit in the holes of the cover. The bottom peg is on a tab and snaps into the center bottom hole.

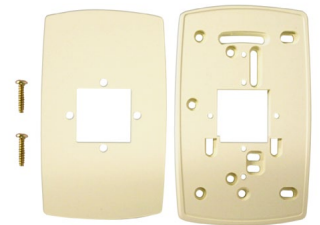
1. With a small Phillips screwdriver or hex wrench, **press in and hold the plastic tab button that snaps into the center hole on the bottom of the**

**cover. Do not use excessive force and deform or break the tab.**

2. Carefully pull the cover from the base.

### Handy Box Installation (Recommended)

1. Mount an HMO-6036 wall plate to the handy box using the two screws provided.
2. Remove the THE-1102's cover from the black base (see the Location and Cover Removal section).

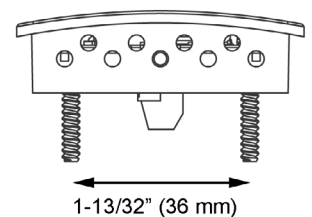


3. With the plastic tab button on the bottom, attach the base to the backplate using the two screws provided.
4. Connect the wiring (see the Wiring section).
5. Reinstall the cover.

### Hollow Wall Installation

1. Remove the THE-1102's cover from the black base (see the Location and Cover Removal section).

2. Using the base as a template, drill two holes for mounting screws (7/64 inches or 3 mm in diameter and 1.4 inches, 1-13/32 inches, or 35.6 mm apart) and cut a center hole for the terminal block.



3. With the plastic tab button on the bottom, attach the base to the wall using two #6 self-threading screws. (Plastic anchors are recommended, and the size of the holes will then need adjusting.)
4. Connect the wiring (see the Wiring section).
5. Reinstall the cover.

## Wiring

**NOTE:** The early version of the THE-1102 had terminals marked A through F.

For power, connect the + side of a regulated 10–15 VDC power supply to Terminal “D” and the – side to “F” (see the terminal diagram).

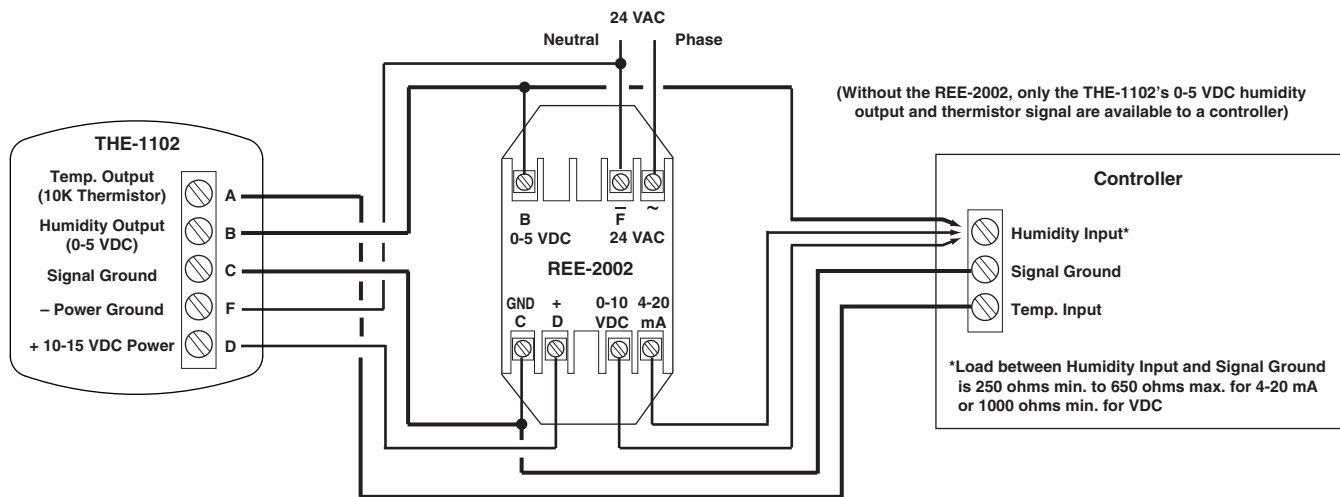
**NOTE:** Signal ground and power ground are connected together internally.

Connect the temperature output (10K thermistor across Terminals “A” and “C”) to the controller’s temperature input. (Set the controller’s pull-up resistor accordingly.)

Connect the humidity output (0 to 5 VDC across Terminals “B” and “C”) to the controller’s humidity input. (Set the controller’s pull-up resistor accordingly.)

**NOTE:** The internal thermistor and the 0 to 5 VDC humidity output have a common signal ground.

Alternately, use an REE-2002 (shown here but purchased separately). See the [REE-2002 Installation Guide](#) for additional information about power and humidity output options.



## More Information

For more information about using the THE-1102 with the REE-2002, see the [REE-2002 Installation Guide](#).

For THE-1102 specifications and accessory information, see the [THE-1102 Data Sheet](#).

For controller configuration of the **humidity input**, see the relevant documentation for the controller and software. For controller configuration of the **thermistor input** as well as mounting considerations, troubleshooting, and other information, see also the **relevant** sections in the [STE-6010/6011/6013/6015 Application Guide](#).



## Maintenance

Careful installation will also ensure long-term reliability and performance. Remove dust as necessary from holes in top and bottom. Clean with a soft, damp cloth and mild soap.

## Important Notices

The material in this document is for information purposes only. **The contents and the product it describes are subject to change without notice.** KMC Controls, Inc. makes **no representations or warranties with respect to this document.** In no event shall KMC Controls, Inc. be liable for any damages, direct or incidental, arising out of or related to the use of this document.

KMC Controls, Inc.  
19476 Industrial Drive  
New Paris, IN 46553  
574.831.5250

[www.kmccontrols.com](http://www.kmccontrols.com); [info@kmccontrols.com](mailto:info@kmccontrols.com)