

Installation Guide

Mounting

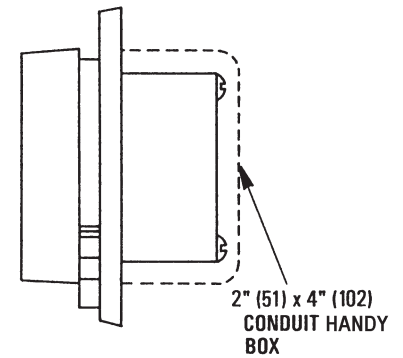
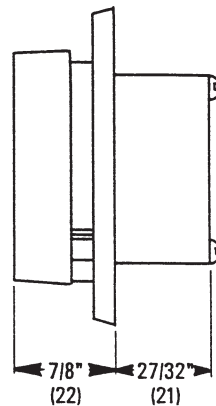
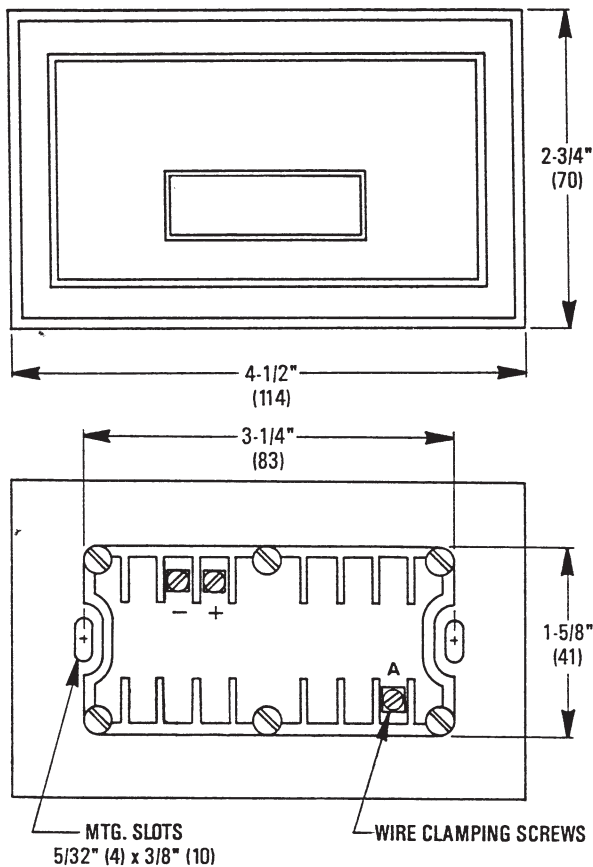
Standard:

- The base unit's mounting slots are designed to align with the holes in a standard 2" x 4" (51 x 102 mm) handy conduit box. Use such a box if using conduit.
- On solid walls, normal screw and anchor systems may be used.

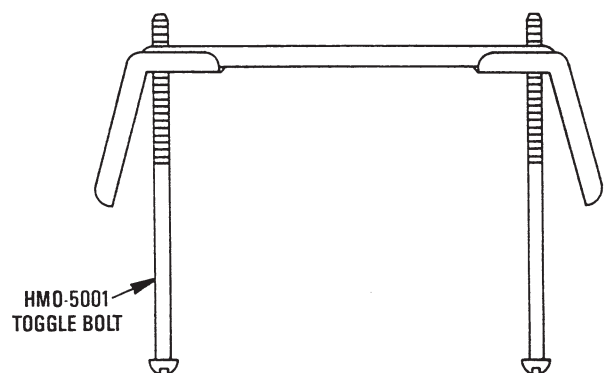
Hollow wall:

1. Cut a 3-3/4" x 1-3/4" rectangular opening in the wall. (Check if unit is horizontal or vertical before cutting.)
2. Make all necessary connections.
3. Insert an HMO-5001 Toggle Bolt Assembly (ordered separately) through the wall and tighten.

NOTE: Care should be taken not to bend or flex the base of the thermostat.

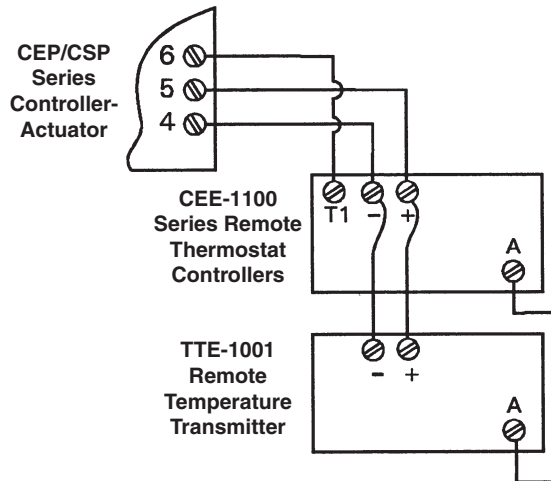


All dimensions are in inches (mm).



Connections and Wiring

Refer to the wiring diagram.



NOTE: This TTE-1001/CEE-11xx configuration can be used in place of an applicable CTE-11xx room thermostat.

Maintenance

No routine maintenance is required. Each component is designed for dependable, long term reliability and performance. Careful installation will also ensure long term reliability and performance.

Accessories

HMO-5001	Toggle bolt assembly (for hollow wall installation)
HMO-5002	Insulating backplate, 1-1/8" deep
HMO-5007	Insulating backplate, 1-11/16" deep
HMO-5022	Mounting trim plate

Important Notices

The material in this document is for information purposes only. **The contents and the product it describes are subject to change without notice.** KMC Controls, Inc. makes no representations or warranties with respect to this document. In no event shall KMC Controls, Inc. be liable for any damages, direct or incidental, arising out of or related to the use of this document.

KMC Controls, Inc.

19476 Industrial Drive
New Paris, IN 46553
574.831.5250

www.kmccontrols.com
info@kmccontrols.com